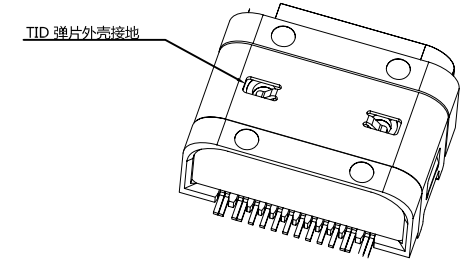
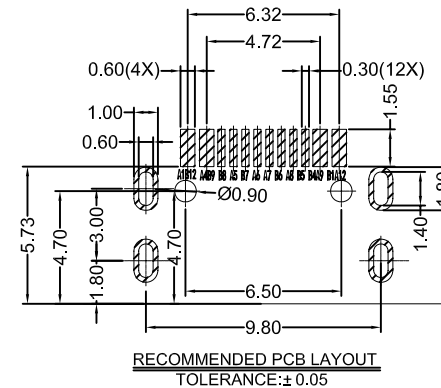
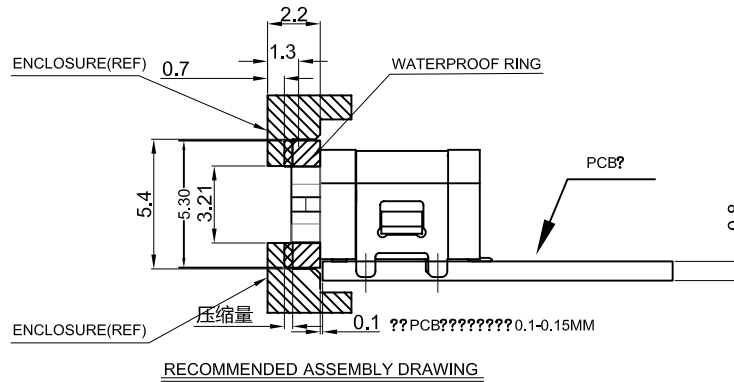
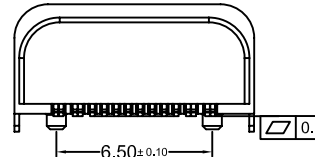
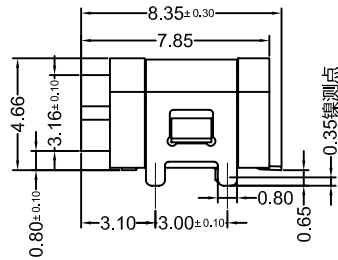


A1	A2	A3	A4	A5	A6	A7	A8	A9	A10	A11	A12
GND			VBUS	CC1	D+	D-	SBU1	VBUS			GND
B12	B11	B10	B9	B8	B7	B6	B5	B4	B3	B2	B1
GND			VBUS	SBU2	D-	D+	CC2	VBUS			GND



Specifications:
 Current Rating:5.0A AC,DC
 Voltage Rating:100V AC,DC
 Contact Resistance:40M Ohm Max
 Insulation Resistance:100M Ohm Min
 Withstanding Voltage:100V AC/Minute
 Operating Temperature Range:-40° C to +85° C
 Mechanical:
 Mating Force:5~20N Max
 Unmating Force:8~20N Min
 Durability:10000 cycles Min
 Materials:
 Insulator:High Temp.Plastic (LCP UL94V-0)
 Contact:Brass
 Contact Plating:Gold Plated on Contact Area,
 Matte-Tin Plated on Solder Tail.
 Shell:Stainless Nickel 50u" Plated
 Package:600pcs/Reel

RoHS Compliant

E				DRAWN:	Jack Zhou	.X=± 0.2 .XX=± 0.15		DESCRIPTION: USB REV. 3.1 C Type Socket Conn SMT waterproof Type	SIZE A4
D				CHECKED:	Ken Wang				
C				APPROVAL:	Make Hu	UNIT: MM	PART NO: UBSR31IPE-16-TR		
B						SHEET: 1 / 1			
A	08-Aug-2024	(H0001)	Jack Zhou	PROJECTION:					
REV	DATE	FILE	BY						