

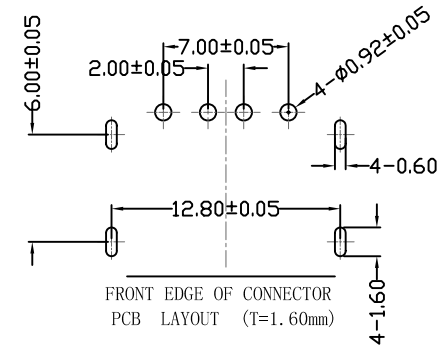
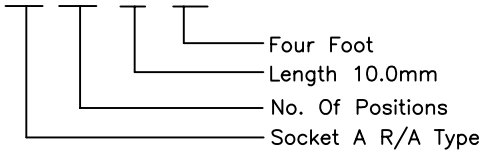
Specifications:

Current rating: 3.0A AC, DC
 Voltage rating: 30V AC, DC
 Contact resistance: 30m ohm max.
 Insulation resistance: 1,000M ohm min.
 Withstanding voltage: 600V AC/minute
 Operating Temperature range: -40°C to +85°C
 Material:

Insulator: High Temp Plastic (PBT UL94V-0)
 Standard Color:Black
 Contact: Copper Alloy
 Finish:Selective Gold Plated
 Shell:SUS304

How To Order

UBSAR-04-L10-4F



RoHS Compliant

| | | | | | | | | |
|-----|-------------|---------|-------|-----------------------|--|----------|--|-------------------|
| | | | | DRAWN: Huali | GENERAL TOLERANCE: .X=±0.2 .XX=±0.15 | | DESCRIPTION: USB A Socket R/A 4P Dip Type | SIZE A4 |
| | | | | CHECKED: Lily Chou | UNIT: MM SCALE:1:1 | | | |
| A | 22-Jan-2024 | (H0001) | Huali | APPROVAL: Ken Wu | SHEET: 1 / 1 | PART NO: | UBSAR-04-L10-4F | |
| REV | DATE | FILE | BY | | PROJECTION: | | | |