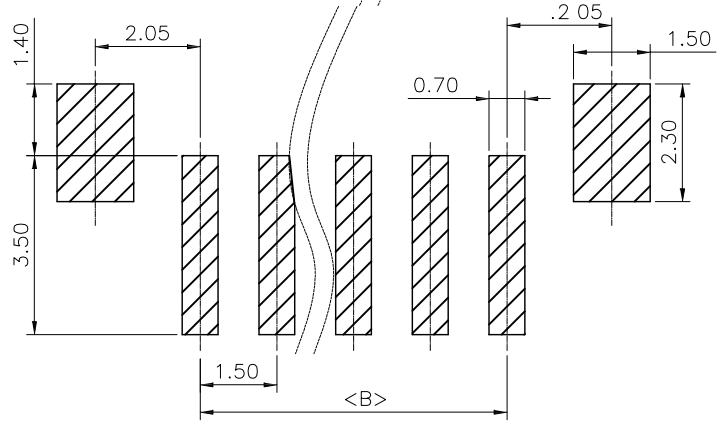


Pin No.	Dimensions		Pin No.	Dimensions	
	A	B		A	B
02	6.00	1.50	08	15.00	10.50
03	7.50	3.00	09	16.50	12.00
04	9.00	4.50	10	18.00	13.50
05	10.50	6.00	11	19.50	15.00
06	12.00	7.50	12	21.00	16.50
07	13.50	9.00	13	22.50	18.00

Specifications:
 Current Rating: 1.0A AC/DC
 Voltage Rating: 50V AC/DC
 Contact Resistance: 40m Ohm. Max.
 Insulation Resistance: 100M Ohm. Min.
 Withstanding Voltage: 500V AC/minute
 Operating Temperature Range: -40°C~+85°C
 Material and Finish:
 Insulator: High Temp. Plastic (Nylon 6T UL94V-0)
 Insulator Color: White
 Contact: Brass
 Plating: Tin Plated

How To Order:
 WF1VSM15-XXT
 T: Tin Plated
 No. of Position
 V: Straight SMT Type



P.C.B Layout

RoHS Compliant

F			
E			
D			
C			
B			
A	01-SEP-2013	(H0079)	Ken
REV	DATE	FILE	BY

DRAWN: Ken	GENERAL TOLERANCE: .X=±0.20 .XX=±0.15
CHECKED: Lily Chou	
APPROVAL: Chao Peng	UNIT: MM
	SCALE: 1:1
	SHEET: 1 / 1
	PROJECTION:

		DESCRIPTION:	1.5mm Wafer Straight SMT Type
		PART NO:	

SIZE	A4