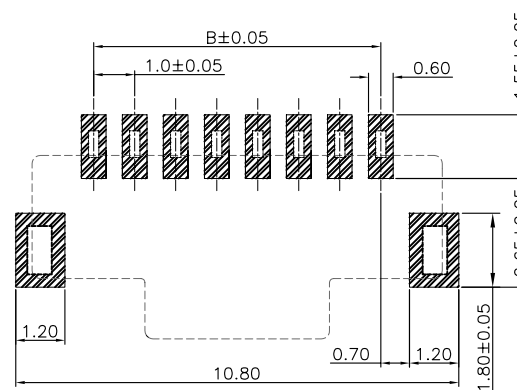
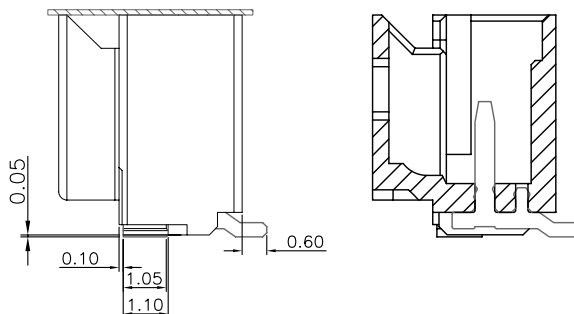
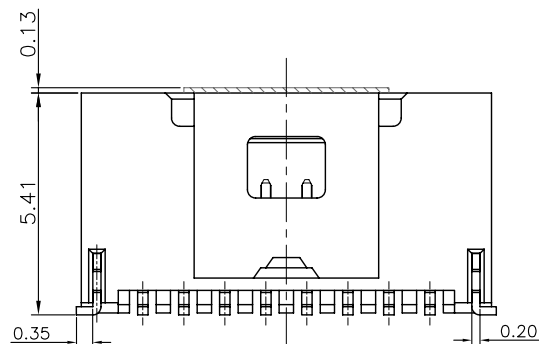


Specifications:  
 Current Rating:1.0A AC,DC  
 Voltage Rating:500V AC,DC  
 Contact Resistance:20mohm Max  
 Insulation Resistance:100Mohm Min.  
 Withstanding Voltage:500V AC/minute  
 Operating Temperature Range:-25°C~+105°C  
 Material And Finish:  
 Insulator:High Temp. Plastic(Nylon 9T UL94V-0)  
 Insulator Color:Natural(Beigi)  
 Contact:Copper Alloy  
 Plating:Tin Plated  
 Package:1000pcs/Reel

How To Order  
 WFVASM10-XXX-LK-MCR

Mylar and Tape & Reel  
 LK:With Lock  
 G:Gold Plated  
 T:Tin Plated  
 SG:Selective Gold Plated  
 No. Of Positions  
 VASM:Straight SMT Type



Poles	Dimension		Poles	Dimension	
	A	B		A	B
6	8.0	5.0	11	13.0	10.0
7	9.0	6.0	12	14.0	11.0
8	10.0	7.0	13	15.0	12.0
9	11.0	8.0	14	16.0	13.0
10	12.0	9.0	15	17.0	14.0

P.C.B LAYOUT

RoHS Compliant

F				
E				
D				
C				
B				
A	05-Mar-2021	(PC0001)	Ken	
REV	DATE	FILE	BY	

DRAWN:  
Ken  
 CHECKED:  
Lily Chou  
 APPROVAL:  
Chao Peng

GENERAL TOLERANCE:  
 .X=±0.20  
 .XX=±0.15  
 UNIT: MM  
 SCALE: 1:1  
 SHEET: 1 / 1  
 PROJECTION:



DESCRIPTION:  
 1.0mm Wafer Single Row SMT With Lock Type  
 PART NO:  
 WFVASM10-XXX-LK-MCR

SIZE  
**A4**