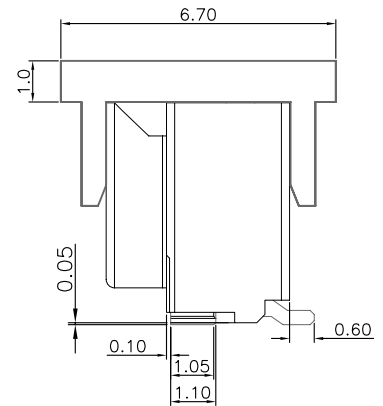
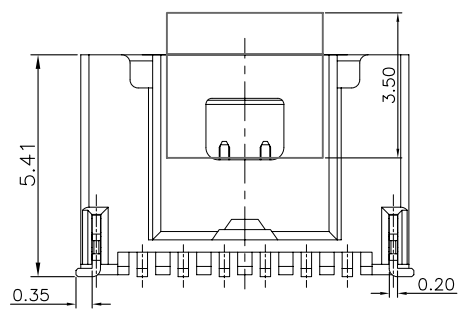
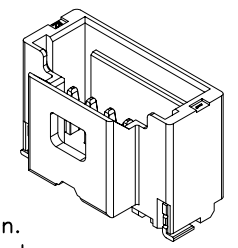


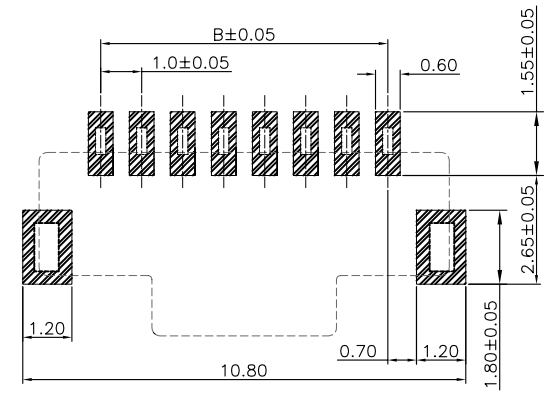
Specifications:
 Current Rating:1.0A AC,DC
 Voltage Rating:500V AC,DC
 Contact Resistance:20mohm Max
 Insulation Resistance:100Mohm Min.
 Withstanding Voltage:500V AC/minute
 Operating Temperature Range:-25°C~+105°C
 Material And Finish:
 Insulator:High Temp. Plastic(Nylon 9T UL94V-0)
 Insulator Color:Natural(Beigi)
 Contact:Copper Alloy
 Plating:Tin Plated
 Package:800pcs/Reel



How To Order
 WFVASM10-XXX-LK-CR

- Cap and Tape & Reel
- LK:With Lock
- G:Gold Plated
- T:Tin Plated
- SG:Selective Gold Plated
- No. Of Positions
- VASM:Straight SMT Type

Poles	Dimension		Poles	Dimension	
	A	B		A	B
6	8.0	5.0	11	13.0	10.0
7	9.0	6.0	12	14.0	11.0
8	10.0	7.0	13	15.0	12.0
9	11.0	8.0	14	16.0	13.0
10	12.0	9.0	15	17.0	14.0



P.C.B LAYOUT

RoHS Compliant

F				
E				
D				
C				
B				
A	05-Mar-2021	(PC0001)	Ken	
REV	DATE	FILE	BY	

DRAWN: Ken	GENERAL TOLERANCE: .X=±0.20 .XX=±0.15
CHECKED: Lily Chou	UNIT: MM
APPROVAL: Chao Peng	SCALE: 1:1
	SHEET: 1 / 1
	PROJECTION:

DESCRIPTION: 1.0mm Wafer Single Row SMT With Lock Type	SIZE A4
PART NO: WFVASM10-XXX-LK-CR	