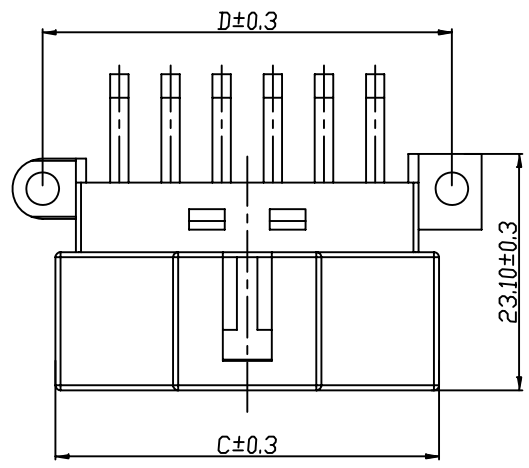
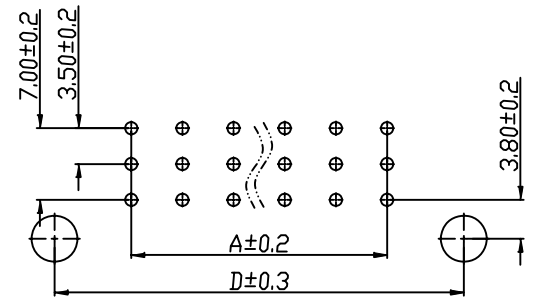


Specifications:
 Current Rating:20.0A AC/DC
 Voltage Rating:250V AC/DC
 Contact Resistance:30m Ohm Max
 Insulation Resistance:1000M Ohm Min.
 Withstanding Voltage:1000V AC/Minute
 Operating Temperature Range:-40°C To +125°C
 Material and Finish:
 Insulator:[BT (UL94V-0)]
 Insulator Color:Black
 Contact:Brass
 Plating:Tin Plated
 How To Order
 WFTR50-XXT-2

No.Of Contacts
 TR:Three Row R/A Type



Lines	Type	A	B	C	D
1	WFTR50-06-2	5	11.6	17.5	20
2	WFTR50-09T-2	10	16.6	22.5	25
3	WFTR50-12T-2	15	21.6	27.5	30
4	WFTR50-15T-2	20	26.6	32.5	35
5	WFTR50-18T-2	25	31.6	37.5	40
6	WFTR50-21T-2	30	36.6	42.5	45



PCB LAYOUT

RoHS Compliant

F				
E				
D				
C				
B				
A	13-Aug-2019	(PC0001)	Ken	
REV	DATE	FILE	BY	

DRAWN: Ken	GENERAL TOLERANCE: .X=±0.20 .XX=±0.15
CHECKED: Lily Chou	UNIT: MM
APPROVAL: Chao Peng	SCALE: 1:1
	SHEET: 1 / 1
	PROJECTION:

DESCRIPTION: 5.0mm Wafer R/A Dip Type	SIZE
PART NO: WFTR50-XXT-2	A4