

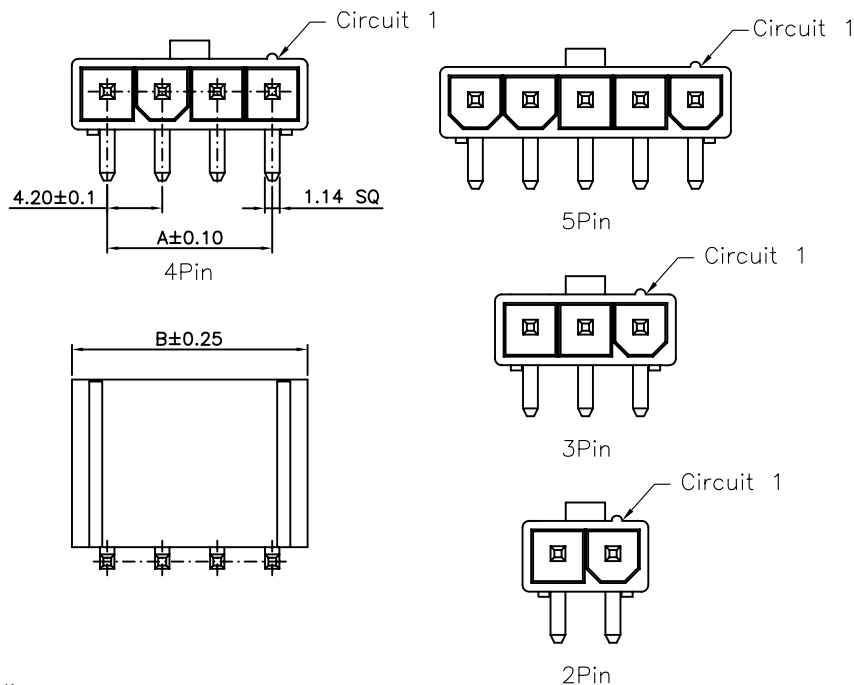
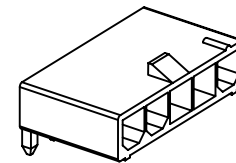
1

2

3

4

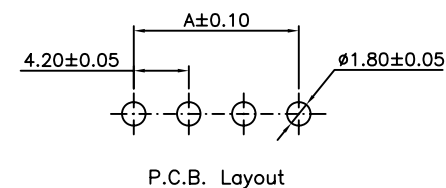
5



**Specifications:**

Current Rating:9.0A AC/DC  
 Voltage Rating:600V AC/DC  
 Contact Resistance:10m Ohm. Max.  
 Insulation Resistance:1,000M Ohm. Min.  
 Withstanding Voltage:1,500V AC For One Minute  
 Operating Temperature Range:-40°C ~ +105°C  
 Materials And Finish  
 Insulator:Nylon66 (UL94V-2)  
 Insulator Color:White  
 Contact:Copper Alloy  
 Plated:Tin Plated  
 How To Order  
 WFRA42-XX-01

Without Ear  
 No. of Positions  
 RA:R/A&Single Row



**Dimension Information:**

Positions	Dim. A	Dim. B	Positions	Dim. A	Dim. B
02	4.20	9.60	04	12.60	18.00
03	8.40	13.80	05	16.80	22.20

RoHS Compliant

F					
E					
D					
C					
B					
A	01-SEP-2013	(PC0001)	Ken		
REV	DATE	FILE	BY		

DRAWN: Ken	GENERAL TOLERANCE: .X=±0.20 .XX=±0.15
CHECKED: Lily Chou	UNIT: MM
APPROVAL: Chao Peng	SCALE: 1:1
	SHEET: 1 / 2
	PROJECTION:

<b>HOYATO</b> 东莞好亚通电子厂	
DESCRIPTION: 4.2mm Power Wafer R/A Type	SIZE <b>A4</b>
PART NO: WFRA42-XX-01	