

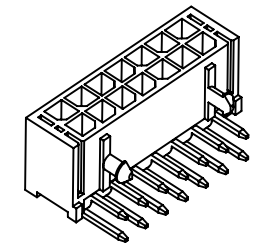
Specifications:

Current rating:5.0A AC,DC
 Voltage rating:250V AC, DC
 Contact resistance:10m ohm Max
 Insulation resistance:1000M ohm Min
 Withstanding voltage:AC 1500V AC/minute
 Operating Temperature:-25°C ~ +105°C
 Materials:

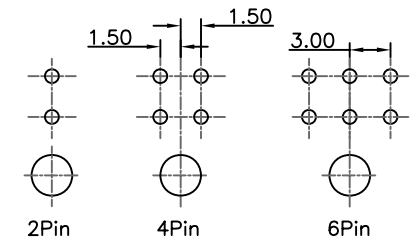
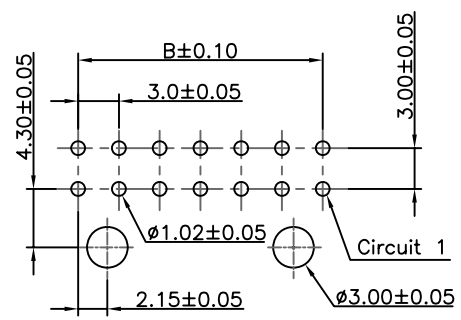
Insulator:High Temp Plastic (Nylon 46 UL94V-0)
 Insulator Color:Black
 Contact :Copper Alloy
 Finish:Tin Plated

How to Order
 WFDR30-XXT

No.Of Positions
 Right Angle



Circuits	Dimension			Circuits	Dimension		
	A	B	C		A	B	C
2	6.7	—	2.9	14	24.7	18.0	16.6
4	9.7	3.0	2.9	16	27.7	21.0	19.6
6	12.7	6.0	2.9	18	30.7	24.0	22.6
8	15.7	9.0	7.6	20	33.7	27.0	25.6
10	18.7	12.0	10.6	22	36.7	30.0	28.6
12	21.7	15.0	13.6	24	39.7	33.0	31.6



PCB Layout

RoHS Compliant

F				DRAWN: Ken	GENERAL TOLERANCE: .X=±0.20 .XX=±0.15	HOYATO 东莞好亚通电子厂 Connector supplies	DESCRIPTION: 3.0mm Power Wafer R/A Type	SIZE A4
E								
D				CHECKED: Lily Chou	UNIT: MM	PART NO: WFDR30-XXT		
C								SCALE: 1:1
B				APPROVAL: Chao Peng	SHEET: 1 / 2			
A	01-SEP-2012	(PC0001)	Ken			PROJECTION:		
REV	DATE	FILE	BY					