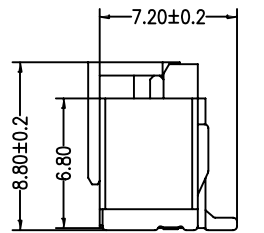


Schematic Diagram of 10, 11, 12, 13, 14, 15-Hole



0.1

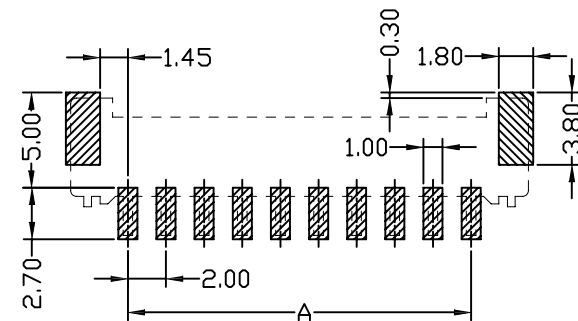
PIN.	DIM A	DIM B	DIM C	PIN.	DIM A	DIM B	DIM C
2pin	2.00	8.00	4.55	9pin	16.00	22.00	18.55
3pin	4.00	10.00	6.55	10pin	18.00	24.00	20.55
4pin	6.00	12.00	8.55	11pin	20.00	26.00	22.55
5pin	8.00	14.00	10.55	12pin	22.00	28.00	24.55
6pin	10.00	16.00	12.55	13pin	24.00	30.00	26.55
7pin	12.00	18.00	14.55	14pin	26.00	32.00	28.55
8pin	14.00	20.00	16.55	15pin	28.00	34.00	30.55

Specifications:

Current Rating:3.0A AC/DC  
 Voltage Rating:125V AC/DC  
 Contact Resistance:10m Ohm Max  
 Insulation Resistance:1,000M Ohm Min.  
 Dielectric Withstanding:500V AC/Minute  
 Operating Temperature Range:-40°C To +105°C  
 Material And Finish:

Insulator:High Temp. Plastic(Nylon 6T UL94V-0)  
 Insulator Color:Beige White  
 Contact:Brass  
 Plating:Tin Plated  
 Packing:500pcs/Reel  
 How To Order  
 WF9VSM20-XX-CR

Cap+Tape&Reel  
 No. Of Positions  
 VSM:Vertical SMT Type



PCB LAYOUT

F			
E			
D			
C			
B			
A	14-Sep-2021	(H0001)	Ken
REV	DATE	FILE	BY

DRAWN: Ken	GENERAL TOLERANCE: .X=±0.20 .XX=±0.15
CHECKED: Lily Chou	UNIT: MM
APPROVAL: Chao Peng	SCALE: 1:1
	SHEET: 1 / 1
	PROJECTION:

DESCRIPTION: 2.0mm Wafer Vertical SMT Type	SIZE <b>A4</b>
PART NO: WF9VSM20-XX-CR	