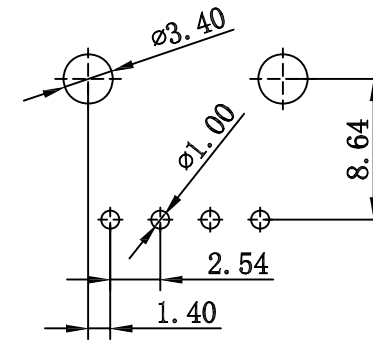


Specifications:
 Current Rating:3.0A AC,DC
 Voltage Rating:250V AC,DC
 Contact Resistance:20mohm Max
 Insulation Resistance:1000Mohm Min.
 Withstanding Voltage:1000V AC/minute
 Operating Temperature Range:-40°C~+105°C
 Material And Finish:
 Insulator:PBT (UL94V-0)
 Insulator Color:Black
 Contact:Brass
 Plating:Tin Plated
 How To Order
 WF2R254-XX

No. Of Positions
 R:Right Angle Type



P. C. B LAYOUT

| Poles | DIM:(mm) | | Poles | DIM:(mm) | |
|-------|----------|-------|-------|----------|-------|
| | A | B | | A | B |
| 2 | 2.54 | 8.53 | 8 | 17.78 | 23.77 |
| 3 | 5.08 | 11.07 | 9 | 20.32 | 26.31 |
| 4 | 7.62 | 13.61 | 10 | 22.86 | 28.85 |
| 5 | 10.16 | 16.15 | 11 | 25.40 | 31.39 |
| 6 | 12.70 | 18.69 | 12 | 27.94 | 33.93 |
| 7 | 15.24 | 21.23 | | | |

| | | | | | | | | | |
|-----|-------------|--------|-----------|-----------------------|---------------------------------|--|--------------|------|-----------|
| F | | | | DRAWN: | GENERAL TOLERANCE: | HOYATO 东莞好亚通电子厂 Connector supplies | DESCRIPTION: | SIZE | |
| E | | | Ken | .X=±0.20 .XX=±0.15 | 2.54mm Wafer R/A With Lock Type | | | | A4 |
| D | | | CHECKED: | UNIT: MM | | | | | |
| C | | | Lily Chou | SCALE: 1:1 | | | | | |
| B | | | APPROVAL: | SHEET: 1 / 1 | PART NO: | WF2R254-XX | | | |
| A | 12-Oct-2014 | (LQ01) | Ken | Chao Peng | PROJECTION: | | | | |
| REV | DATE | FILE | BY | | | | | | |