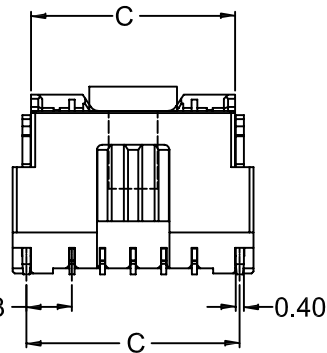
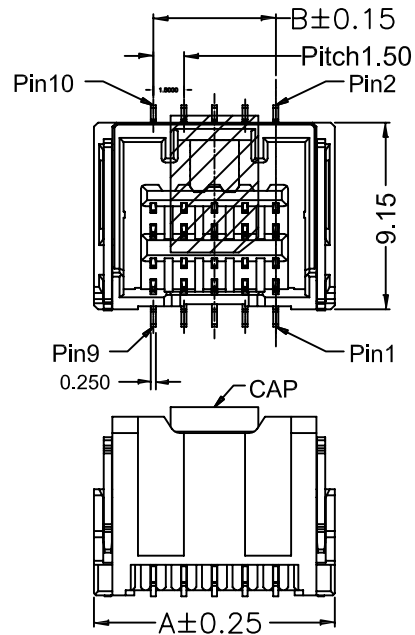
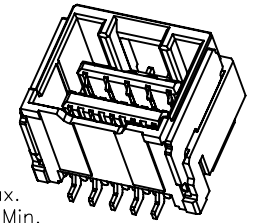
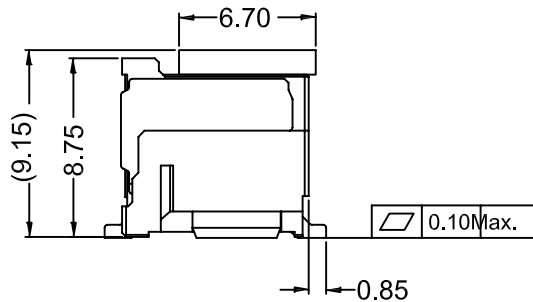


2\*6~2\*17P Sharp



2\*04P~2\*05P Shape

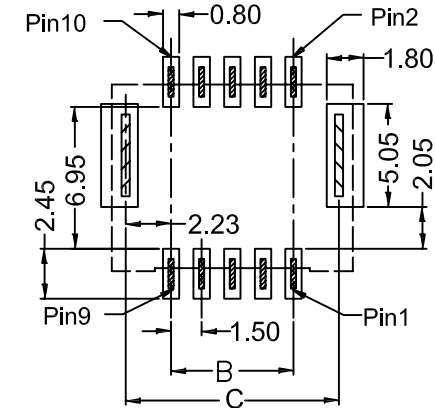
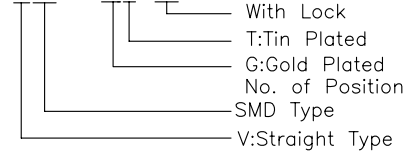


Specifications:

Current Rating: 2.0A AC/DC  
 Voltage Rating: 100V AC/DC  
 Contact Resistance: 40m Ohm. Max.  
 Insulation Resistance: 500M Ohm. Min.  
 Withstanding Voltage: 500V AC/minute  
 Operating Temperature Range:  $-40^{\circ}\text{C} \sim +105^{\circ}\text{C}$   
 Material and Finish:  
 Insulator: High Temp. Plastic (LCP UL94V-0)  
 Insulator Color: Ivory  
 Contact: Phosphor Bronze  
 Plating: Matte Tin Plated

How To Order:

WF1DVSM15-XXT-LK



RECOMMENDED P.C.B LAYOUT

CIRCUITS	DIM.A	DIM.B	DIM.C	CIRCUITS	DIM.A	DIM.B
08	10.3	4.50	8.50	20	19.30	17.50
10	11.8	6.00	10.00	22	20.80	19.00
12	13.3	7.50	11.50	24	22.30	20.50
14	14.8	9.00	13.00	26	23.80	22.00
16	16.3	10.50	14.50	28	25.30	23.50
18	17.8	12.00	16.00	30	26.80	25.00

RoHS Compliant

F			
E			
D			
C			
B			
A	03-Mar-2021	(PC0001)	Ken
REV	DATE	FILE	BY

DRAWN: Ken	GENERAL TOLERANCE: .X = $\pm 0.20$ .XX = $\pm 0.15$
CHECKED: Lily Chou	UNIT: MM
APPROVAL: Chao Peng	SCALE: 1:1
	SHEET: 1 / 1
	PROJECTION:



DESCRIPTION: 1.5mm Double Row Wafer Vertical SMT Type	SIZE <b>A4</b>
PART NO: WF1DVSM15-XXT-LK	