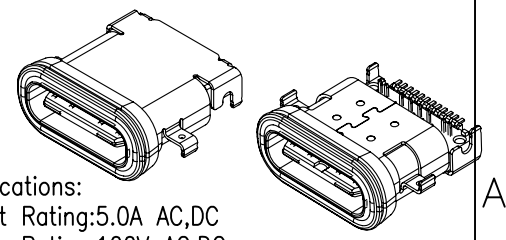




CUSTOMER DRAWING

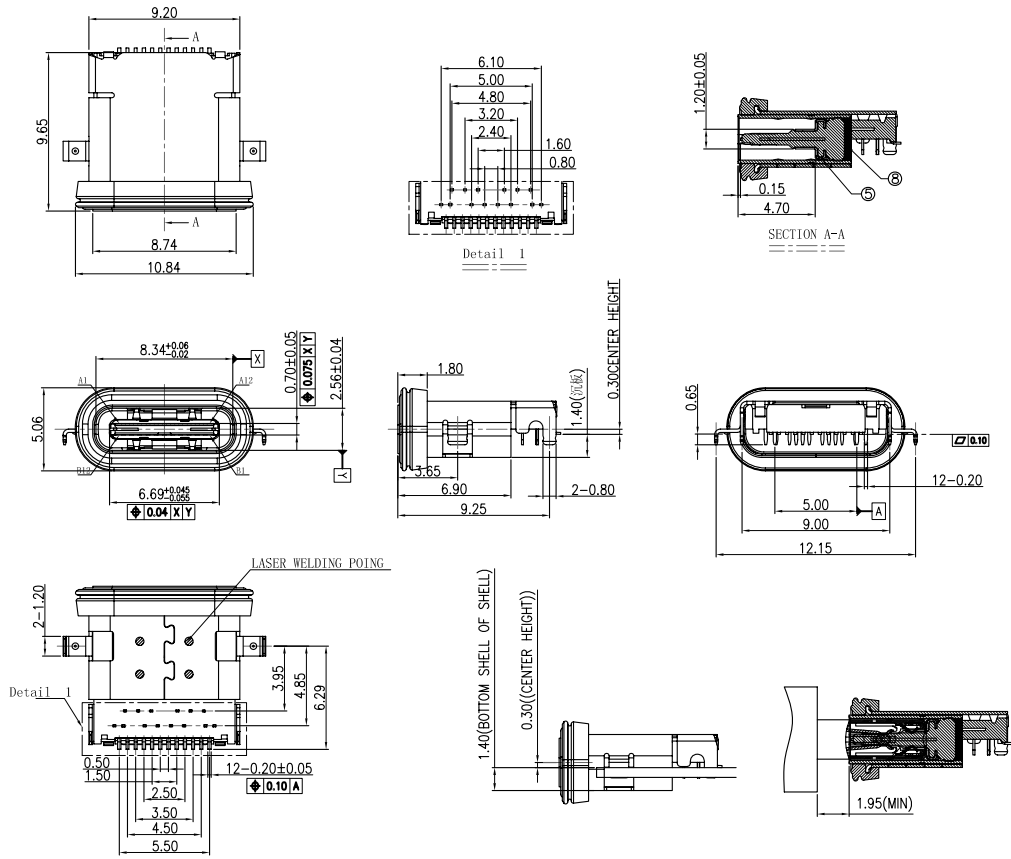
Pin	Signal Name	Mating Sequence	Pin	Signal Name	Mating Sequence
A1	GND	First	B12	GND	First
A2	SSTXp1	Second	B11	SSRXp1	Second
A3	SSTXn1	Second	B10	SSRXn1	Second
A4	Vcc	First	B9	Vcc	First
A5	CC1	Second	B8	SBU2	Second
A6	Dp1	Second	B7	Dn2	Second
A7	Dn1	Second	B6	Dp2	Second
A8	SBU1	Second	B5	CC2	Second
A9	Vcc	First	B4	Vcc	First
A10	SSRXn2	Second	B3	SSTXn2	Second
A11	SSRXp2	Second	B2	SSTXp2	Second
A12	GND	First	B1	GND	First
SHELL	GND		SHELL	GND	



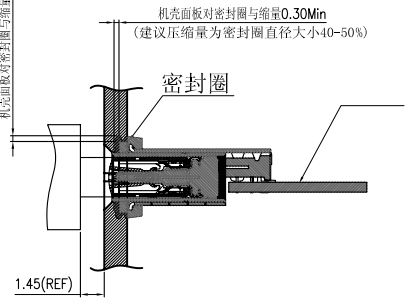
Specifications:  
 Current Rating:5.0A AC,DC  
 Voltage Rating:100V AC,DC  
 Contact Resistance:40m Ohm Max  
 Insulation Resistance:100M Ohm Min  
 Withstanding Voltage:100V AC/Minute  
 Operating Temperature Range:-40°C to +85°C  
 Mechanical:

Mating Force:5~20N Max  
 Unmating Force:8~20N Min  
 Durability:10000 cycles Min  
 Materials:  
 Insulator:High Temp.Plastic (LCP UL94V-0)  
 Contact:Brass

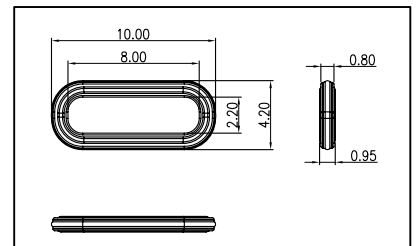
PCB板 Contact Plating:Gold Plated on Contact Area,  
 Matte-Tin Plated on Solder Tail.  
 Shell:Stainless Nickel 50u" Plated  
 Package:700pcs/Reel



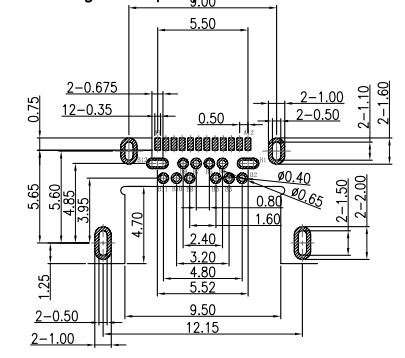
(建议压缩量为密封圈直径大小40-50%)  
 机壳面板对密封圈与缩量0.30Min



组装面板后公母头对插示意图



Seal Rubber For Reference



RoHS Compliant

E					
D					
C					
B	07-Aug-2018	Add O-Ring	Jack Zhou		
A	28-Aug-2017	(H0128)	Jack Zhou		
REV	DATE	FILE	BY		

DRAWN:	Jack Zhou
CHECKED:	Ken Wang
APPROVAL:	Make Hu
GENERAL TOLERANCE:	.X=±0.2 .XX=±0.15
UNIT:	MM
SCALE:	2:1
SHEET:	1 / 1
PROJECTION:	

DESCRIPTION:	USB REV. 3.1 C Type Socket Conn SMT waterproof Type
PART NO:	UBSR31PA-24SG-BK-TR

SIZE  
**A4**