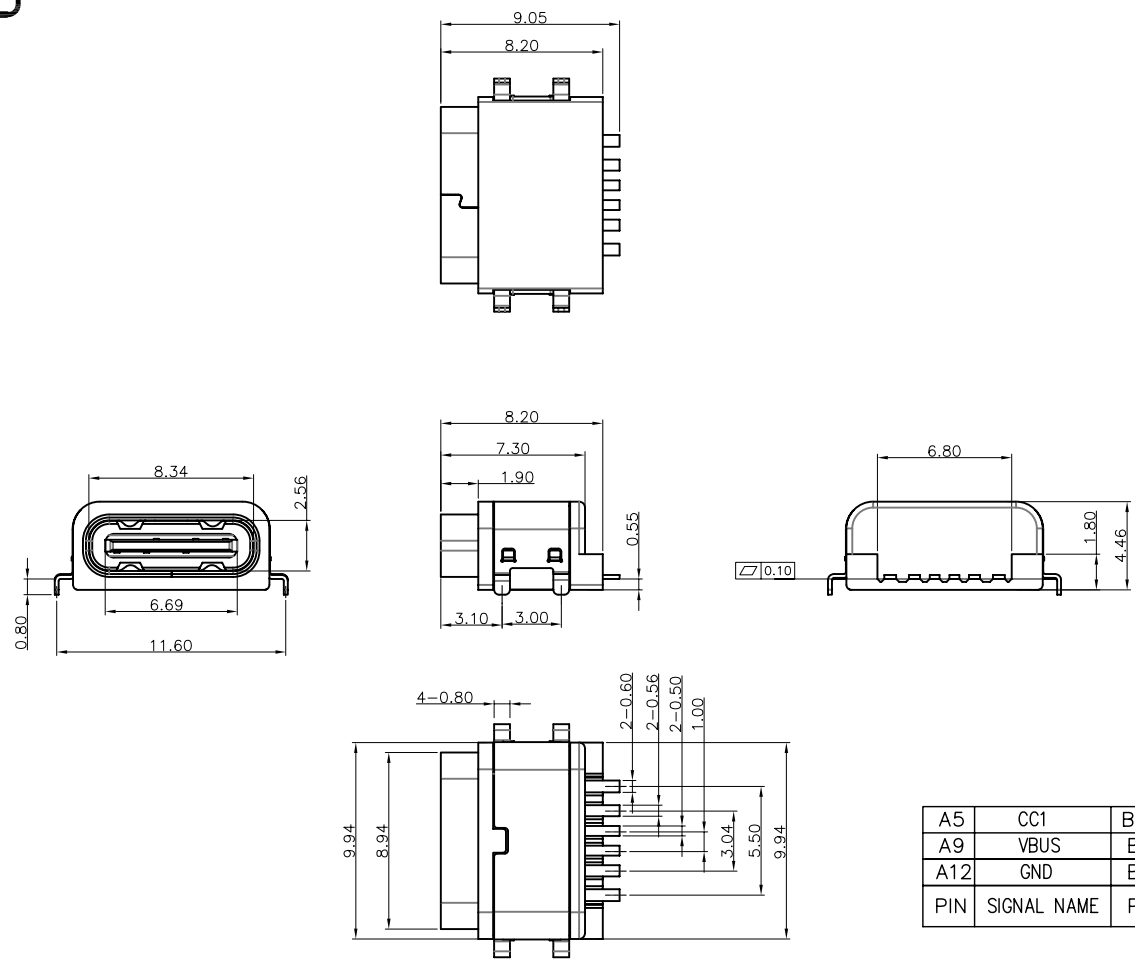
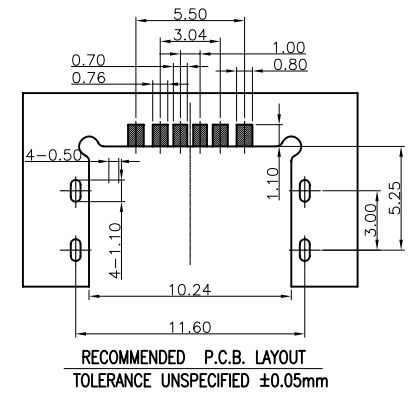


Specifications:  
 Current Rating:5.0A AC,DC  
 Voltage Rating:100V AC,DC  
 Contact Resistance:40M Ohm Max  
 Insulation Resistance:100M Ohm Min  
 Withstanding Voltage:100V AC/Minute  
 Operating Temperature Range:-40°C to +85°C  
 Mechanical:  
 Mating Force:5~20N Max  
 Unmating Force:8~20N Min  
 Durability:10000 cycles Min  
 Materials:  
 Insulator:High Temp.Plastic (LCP UL94V-0)  
 Contact:Brass  
 Contact Plating:Gold Plated on Contact Area,  
 Matte-Tin Plated on Solder Tail.  
 Shell:Stainless Nickel 50u" Plated



A5	CC1	B12	GND
A9	VBUS	B9	VBUS
A12	GND	B5	CC2
PIN	SIGNAL NAME	PIN	SIGNAL NAME



RoHS Compliant

E				DRAWN: Jack Zhou	.X=±0.2 .XX=±0.15		DESCRIPTION: USB REV. 3.1 C Type Socket Conn SMT waterproof Type	SIZE A4
D				CHECKED: Ken Wang				
C				APPROVAL: Make Hu	UNIT: MM	PART NO: UBSR31IP-06-TR	D	
B					SCALE:2:1			
A	28-Aug-2018	(H0129)	Jack Zhou	PROJECTION:	SHEET: 1 / 1			
REV	DATE	FILE	BY					