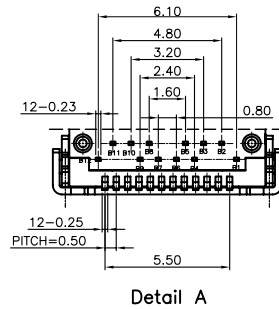
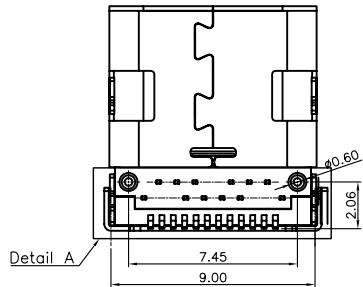
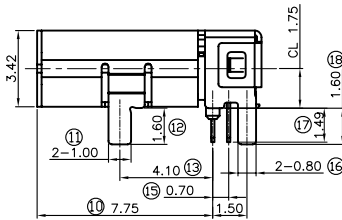
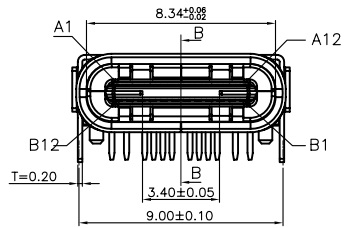
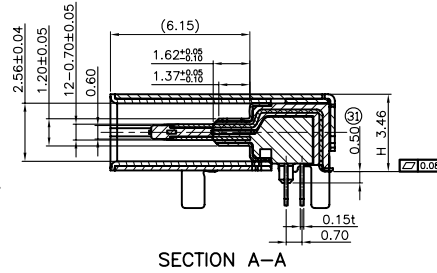
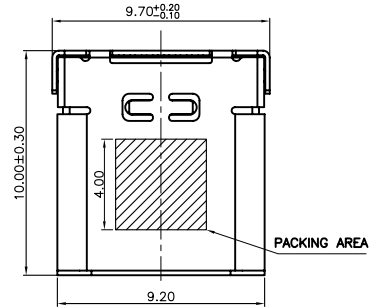
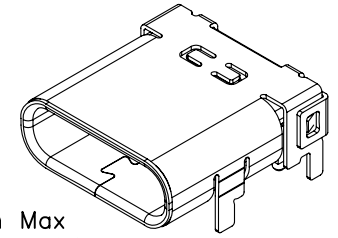


RoHS Compliant



USB TYPE-C FULL-FEATURED RECEPTACLE INTERFACE PIN ASSIGNMENTS

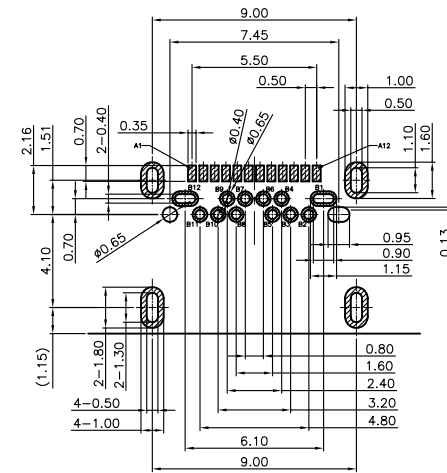
PIN	Signal Name	Description	PIN	Signal Name	Description
A1	GND	Ground return	B12	GND	Ground return
A2	SSTXp1	Positive half of first SuperSpeed TX differential pair	B11	SSRXp1	Positive half of first SuperSpeed RX differential pair
A3	SSTXn1	Negative half of first SuperSpeed TX differential pair	B10	SSRXn1	Negative half of first SuperSpeed RX differential pair
A4	Vbus	Bus Power	B9	Vbus	Bus Power
A5	CC1	Configuration Channel	B8	SBU2	Sideband Use (SBU)
A6	Dp1	Positive half of the USB 2.0 differential pair-Position 1	B7	Dn2	Negative half of the USB 2.0 differential pair-Position 2
A7	Dn1	Negative half of the USB 2.0 differential pair-Position 1	B6	Dp2	Positive half of the USB 2.0 differential pair-Position 2
A8	SBU1	Sideband Use (SBU)	B5	CC2	Configuration Channel
A9	Vbus	Bus Power	B4	Vbus	Bus Power
A10	SSRXn2	Negative half of second SuperSpeed RX differential pair	B3	SSTXn2	Negative half of second SuperSpeed TX differential pair
A11	SSRXp2	Positive half of second SuperSpeed RX differential pair	B2	SSTXp2	Positive half of second SuperSpeed TX differential pair
A12	GND	Ground return	B1	GND	Ground return



Specifications:
 Current Rating:5.0A AC,DC
 Voltage Rating:100V AC,DC
 Contact Resistance:40M Ohm Max
 Insulation Resistance:100M Ohm Min
 Withstanding Voltage:100V AC/Minute
 Operating Temperature Range:-40°C to +85°C
 Mechanical:
 Mating Force:5~20N Max
 Unmating Force:8~20N Min
 Durability:10000 cycles Min
 Materials:
 Insulator:High Temp.Plastic (LCP UL94V-0)
 Contact:Brass
 Contact Plating:Gold Plated on Contact Area,
 Matte-Tin Plated on Solder Tail.
 Shell:Stainless Nickel 50u" Plated

How To Order
 UBSR31H1-24SGXX

Blank :Gold Flash
 5:Gold 5u" Plated
 15:Gold 15u" Plated
 30:Gold 30u" Plated
 SG:Selective Gold Plated
 No. Of Positions
 H:Height 3.46mm
 SR:Socket R/A Type



RECOMMEND P.C.B LAYOUT (COMPONENT SIDE)
 TOLERANCE FOR PCB LAYOUT IS ±0.05
 KEEP OUT AREA

REV	DATE	FILE	BY	DRAWN: Jack Zhou	GENERAL TOLERANCE: .X=±0.2 .XX=±0.15		DESCRIPTION: USB REV. 3.1 C Type Socket Conn H3.45mm Dip=1.6mm SMT Type	SIZE A4
				CHECKED: Ken Wang	UNIT: MM			
				APPROVAL: Make Hu	SCALE:2:1			
					SHEET: 1 / 1		PART NO: UBSR31H1-24SGXX	
					PROJECTION:			