

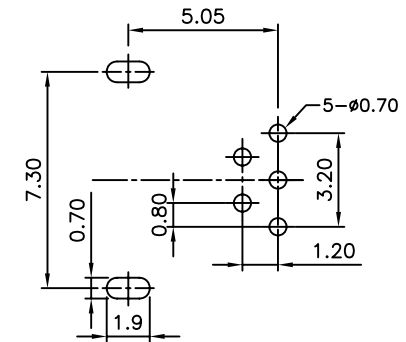
Specifications:  
 Current Rating:1.0A AC,DC  
 Voltage Rating:30V AC,DC  
 Contact Resistance:20M Ohm Max  
 Insulation Resistance:1,000M Ohm Min  
 Withstanding Voltage:750V AC/Minute  
 Operating Temperature Range:-40°C to +105°C

Materials:  
 Insulator:High Temp.Plastic (LCP UL94V-0)  
 Contact:Phosphor Bronze  
 Plating:Gold Plated on Contact Area,  
 Tin Plated on Solder Tail.

Shell:Brass,Tin Plate


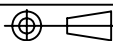
How To Order

UBSR-05



Recommended PCB Layout

RoHS Compliant

				DRAWN: Jack Zhou	GENERAL TOLERANCE: .X=±0.2 .XX=±0.15		
E				CHECKED: Ken Wang	UNIT: MM		DESCRIPTION: Mini USB B Dip R/A Type Socket
D				APPROVAL: Make Hu	SCALE:2:1	PART NO: UBSR-05	<b>A4</b>
C					SHEET: 1 / 1		
B					PROJECTION: 		
A	20-Jan-2014	(PC0001)	Jack Zhou				
REV	DATE	FILE	BY				

A  
B  
C  
D