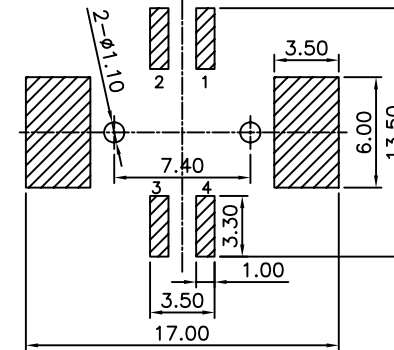


Specifications:
 Current Rating:1.0A AC,DC
 Voltage Rating:30V AC,DC
 Contact Resistance:20M Ohm Max
 Insulation Resistance:1,000M Ohm Min
 Withstanding Voltage:750V AC/Minute
 Operating Temperature Range:-40°C to +105°C

Materials:
 Insulator:High Temp.Plastic (Nylon 9T UL94V-0)
 Contact:Phosphor Bronze
 Plating:Gold Plated on Contact Area,
 Tin Plated on Solder Tail.

Shell:Brass,Nickel Plate 30~50u"
 How To Order
 UBSBVSM-04-XX

BK:Black
 WH:White
 No. Of Positions
 B Socket Straight SMT Type



PCB Layout

RoHS Compliant

				DRAWN: Jack Zhou	GENERAL TOLERANCE: .X=±0.2 .XX=±0.15		DESCRIPTION: USB B Sokcet 4P Straight SMT Type	SIZE A4
E				CHECKED: Ken Wang	UNIT: MM SCALE:2:1			
D				APPROVAL: Make Hu	SHEET: 1 / 1	PART NO: UBSBVSM-04-XX		
C					PROJECTION:			
B								
A	04-Sep-2013	(PC0001)	Jack Zhou					
REV	DATE	FILE	BY					