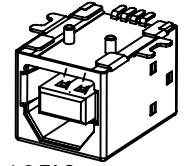
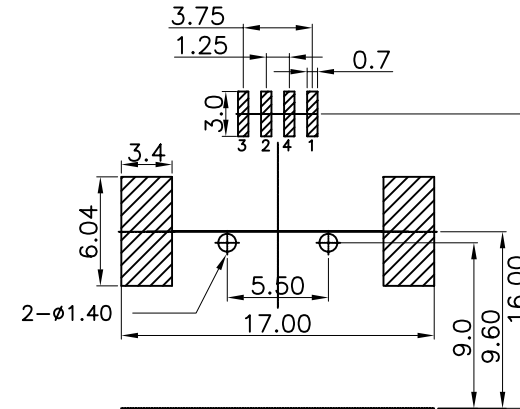


Specifications:  
 Current Rating:1.0A AC,DC  
 Voltage Rating:30V AC,DC  
 Contact Resistance:20M Ohm Max  
 Insulation Resistance:1,000M Ohm Min  
 Withstanding Voltage:750V AC/Minute  
 Operating Temperature Range:-40°C to +105°C  
 Materials:



Insulator:High Temp.Plastic (Nylon 6T UL94V-0)  
 Contact:Phosphor Bronze  
 Plating:Gold Plated on Contact Area,  
 Tin Plated on Solder Tail.  
 Shell:Brass,Nickel Plate 30~50u"  
 How To Order  
 UBSBRSM-04-XX  
 BK:Black  
 WH:White  
 No. Of Positions  
 B Socket R/A SMT Type



PCB Layout

RoHS Compliant

				DRAWN: Jack Zhou	GENERAL TOLERANCE: .X=±0.2 .XX=±0.15		DESCRIPTION: USB B Sokcet 4P R/A SMT Type	SIZE <b>A4</b>
E				CHECKED: Ken Wang	UNIT: MM SCALE:2:1			
D				APPROVAL: Make Hu	SHEET: 1 / 1	PART NO: UBSBRSM-04-XX		
C					PROJECTION:			
B								
A	04-Sep-2013	(PC0001)	Jack Zhou					
REV	DATE	FILE	BY					