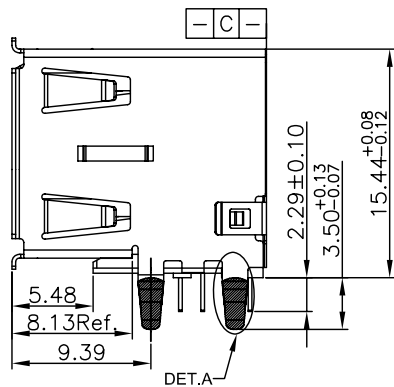
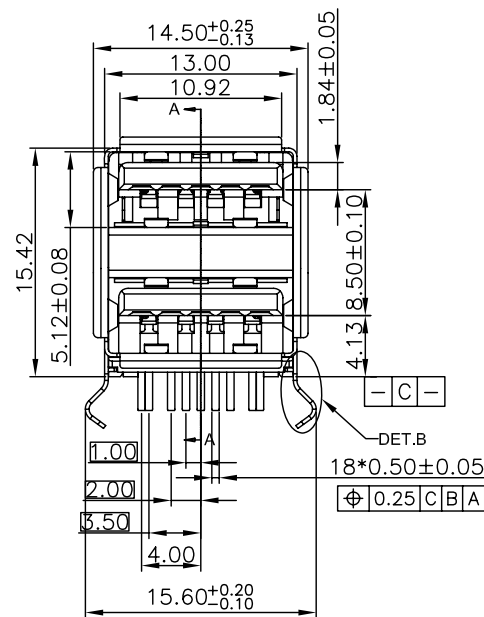


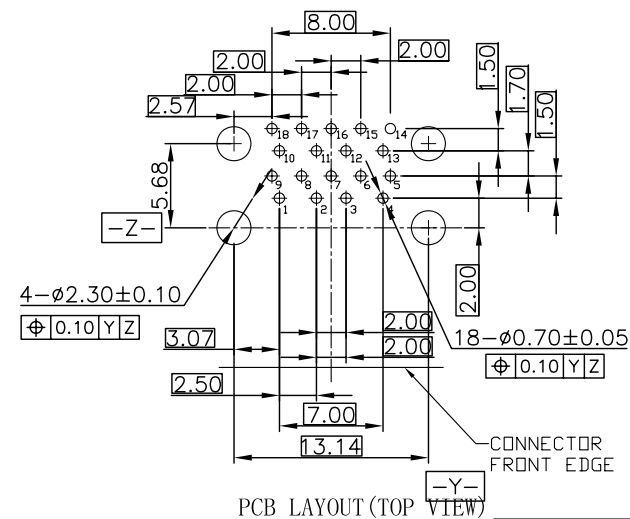
SECTION A-A
SCALE 1:1



SPECIFICATIONS:
Contact current Rating:
 1.8 Amperes for pin1&pin4.
 0.25 Amperes other contacts
Dielectric Withstanding Voltage:AC 100V(RMS)
Insulation resistance:100Megohms Minimum.
Contact Resistance:
 30mΩ Max for pin1&pin4
 50mΩMax for other contacts
Mechanical Characteristics:
 Mating Force:35 Newtons.Maximum
 Unmating Force:10 Newtons.Minimum.
 8N Min After Durability

MATERIAL:
 Housing: PA9T+30%GF COLOR:BLUE
 Contact: copper alloy Sealective Gold Plated
 Shell: Stainless Steel feet Wetting tin
How To Order
 UBSARD-18-XX-XX

Blank:Selective Gold 1u"
 30:Selective Gold 30u"
 Bland:Blue Color
 BK:Black
 No. Of Positions
 Socket A R/A Type



RoHS Compliant

				DRAWN: Huali	GENERAL TOLERANCE: .X=±0.2 .XX=±0.15
				CHECKED: Lily Chou	UNIT: MM SCALE:1:1
A	22-Aug-2015	(H0098)	Huali	APPROVAL: Ken Wu	SHEET: 1 / 1
REV	DATE	FILE	BY		PROJECTION:

DESCRIPTION: USB 3.0 A Socket 18P Doubler Row R/A Type	SIZE A4
PART NO: UBSARD-18-XX-XX	
