

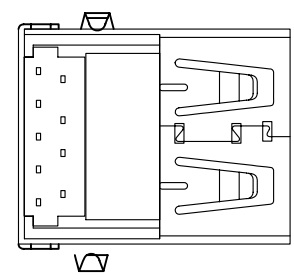
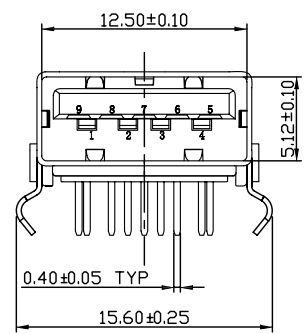
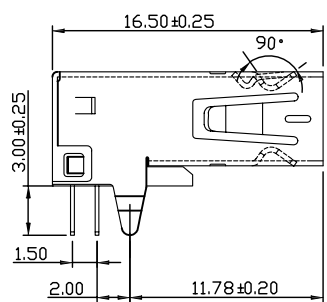
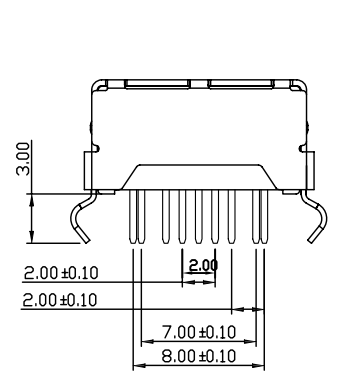
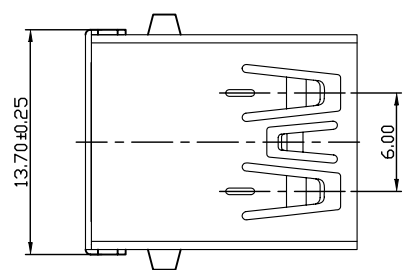
1

2

3

4

5

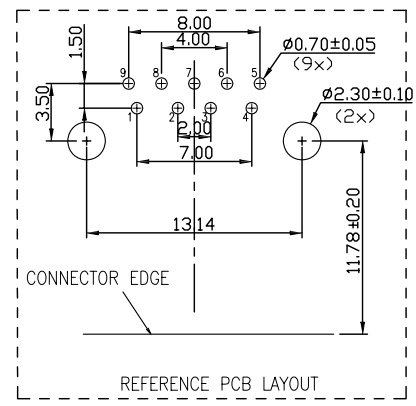
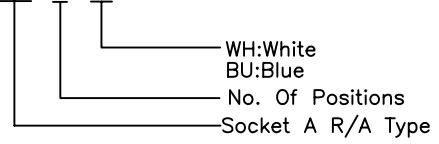


Specifications:

Current rating: 1.8A AC, DC  
 Voltage rating: 30V AC, DC  
 Contact resistance: 30m ohm max.  
 Insulation resistance: 1,000M ohm min.  
 Withstanding voltage: 600V AC/minute  
 Operating Temperature range: -40°C to +85°C  
 Material:

Insulator: High Temp Plastic (PBT UL94V-0)  
 Standard Color:Blue  
 Contact: Copper Alloy  
 Finish:Selective Gold Plated

How To Order  
 UBSAR1-09-XX



RoHS Compliant

				DRAWN: Huali
				CHECKED: Lily Chou
A	28-Apr-2020	(L0144)	Huali	APPROVAL: Ken Wu
REV	DATE	FILE	BY	

GENERAL TOLERANCE: .X=±0.2 .XX=±0.15
UNIT: MM
SCALE:1:1
SHEET: 1 / 1
PROJECTION:



DESCRIPTION: USB 3.0 A Socket 9P R/A Dip Type	SIZE
PART NO: UBSAR1-09-XX	<b>A4</b>

A

B

C

D