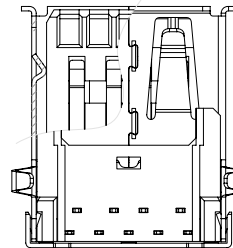
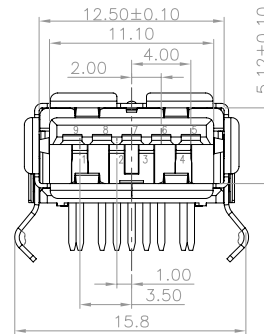
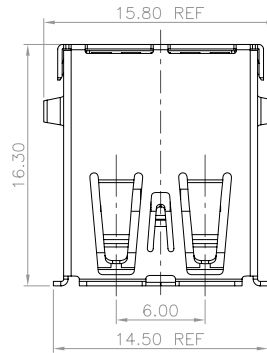
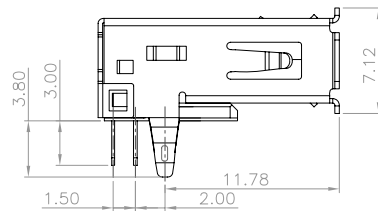
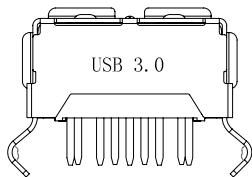


Pin Assignment

Pin No.	Signal Name	Description
1	VBUS	Power
2	D-	USB2.0 differential pair
3	D+	
4	GND	Ground for power return
5	StdA_SSRX-	SuperSpeed receiver differential pair
6	StdA_SSRX+	
7	GND_DRAIN	Ground for signal return
8	StdA_SSTX-	SuperSpeed transmitter differential pair
9	StdA_SSTX+	
Shell	Shield	Connector metal shell



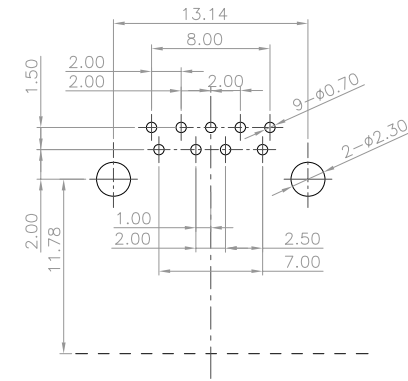
Specifications:

Current rating: 1.5A AC, DC
 Voltage rating: 30V AC, DC
 Contact resistance: 30m ohm max.
 Insulation resistance: 1,000M ohm min.
 Withstanding voltage: 600V AC/minute
 Operating Temperature range: -40°C to +85°C
 Material:

Insulator: High Temp Plastic (PBT UL94V-0)
 Standard Color: Blue
 Contact: Copper Alloy
 Finish: Selective Gold Plated

How To Order
 UBSAR-09-XX

WH: White
 BU: Blue
 No. Of Positions
 Socket A R/A Type



RECOMMENDED PCB LAYOUT(TOP VIEW)
 GENERAL TOLERANCES: ±0.05

RoHS Compliant

DRAWN:
Huali

CHECKED:
Lily Chou

APPROVAL:
Ken Wu

GENERAL TOLERANCE:
 .X=±0.2
 .XX=±0.15

UNIT: MM
 SCALE: 1:1

SHEET: 1 / 1

PROJECTION:



DESCRIPTION:
 USB 3.0 A Socket 9P R/A Dip Type

PART NO:
 UBSAR-09-XX

SIZE

A4

REV	DATE	FILE	BY
A	22-Aug-2012	(PC0040)	Huali