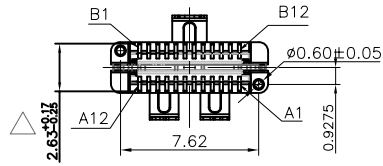
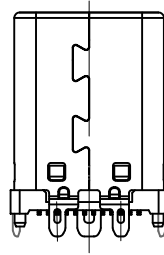
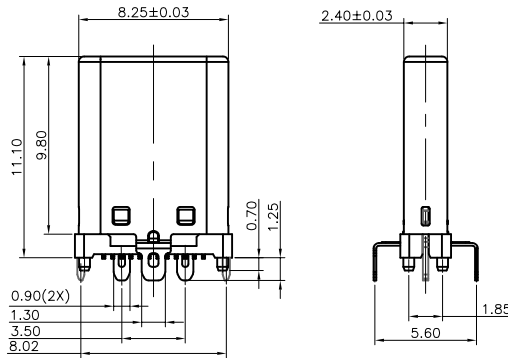
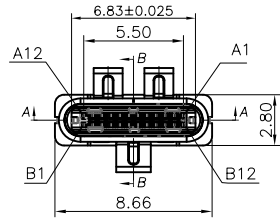


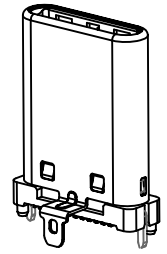
RoHS Compliant



A1	GND	B12	GND
A2	SSTXP1	B11	SSRXP1
A3	SSTXN1	B10	SSRXN1
A4	VBUS	B9	VBUS
A5	CC1	B8	SBU2
A6	DP1	B7	DN2
A7	DN1	B6	DP2
A8	SBU1	B5	CC2
A9	VBUS	B4	VBUS
A10	SSRXN2	B3	SSTXN2
A11	SSRXP2	B2	SSTXP2
A12	GND	B1	GND
PIN	SIGNAL NAME	PIN	SIGNAL NAME

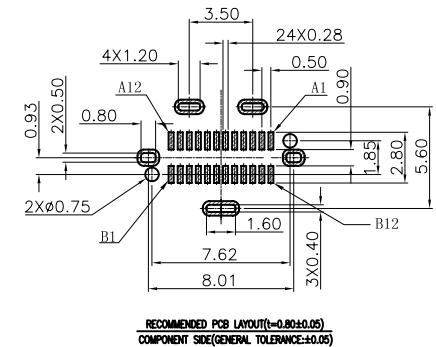
Specifications:

Current Rating:5.0A AC,DC  
 Voltage Rating:100V AC,DC  
 Contact Resistance:40M Ohm Max  
 Insulation Resistance:100M Ohm Min  
 Withstanding Voltage:100V AC/Minute  
 Operating Temperature Range:-40°C to +85°C  
 Mechanical:  
 Mating Force:5~20N Max  
 Unmating Force:8~20N Min  
 Durability:10000 cycles Min  
 Materials:  
 Insulator:High Temp.Plastic (LCP UL94V-0)  
 Contact:Brass  
 Contact Plating:Gold Plated on Contact Area,  
 Matte-Tin Plated on Solder Tail.  
 Shell:Stainless Nickel 50u" Plated



How To Order  
 UBPV31-24SGXX

Blank :Gold Flash  
 5:Gold 5u" Plated  
 15:Gold 15u" Plated  
 30:Gold 30u" Plated  
 SG:Selective Gold Plated  
 No. Of Positions  
 PV:Plug Straight Type



E				DRAWN: Jack Zhou	GENERAL TOLERANCE: .X=±0.2 .XX=±0.15		DESCRIPTION: USB REV. 3.1 C Type Plug Conn Straight SMT Type	SIZE <b>A4</b>
D			CHECKED: Ken Wang	UNIT: MM SCALE:2:1				
C				APPROVAL: Make Hu	SHEET: 1 / 1	PART NO:		
B					PROJECTION:	UBPV31-24SGXX		
A	05-Apr-2017	(H0126)	Jack Zhou					
REV	DATE	FILE	BY					