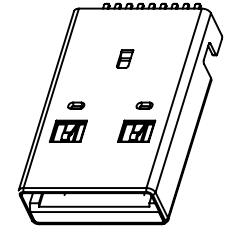
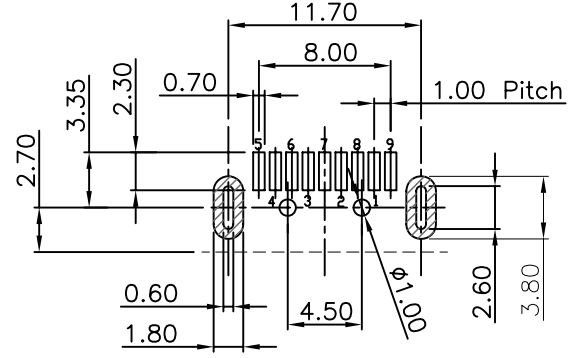


Specifications:
 Current rating: 1.5A AC, DC
 Voltage rating: 30V AC, DC
 Contact resistance: 30m ohm max.
 Insulation resistance: 1,000M ohm min.
 Withstanding voltage: 600V AC/minute
 Operating Temperature range: -40°C to +85°C
 Material:



Insulator: High Temp Plastic (LCP UL94V-0)
 Standard Color: Blue
 Contact: Copper Alloy
 Finish: Selective Gold Plated
 How To Order
 UBPARSM1-09-XX

WH: White
 BU: Blue
 No. Of Positions
 SMD Type
 Plug A R/A Type



RECOMMEND PCB LAYOUT(TOLERANCE:±0.05)

SECTION "A-A"

RoHS Compliant

				DRAWN: Huali	GENERAL TOLERANCE: .X=±0.2 .XX=±0.15		
				CHECKED: Lily Chou	UNIT: MM		DESCRIPTION: USB 3.0 A Plug 9P R/A SMD Type
				APPROVAL: Ken Wu	SCALE: 1:1	PART NO: UBPARSM1-09-XX	A4
REV	DATE	FILE	BY		SHEET: 1 / 1		
A	22-Aug-2012	(PC0001)	Huali		PROJECTION:		