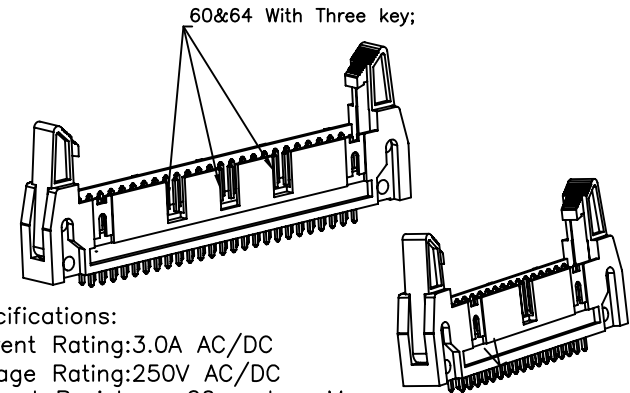


No. of Positions	Dim A	Dim B	No. of Positions	Dim A	Dim B	Note
6	27.12	5.08	26	52.52	30.48	
8	29.66	7.62	30	57.60	35.56	
10	32.20	10.16	34	62.68	40.64	
12	34.74	12.70	40	70.30	48.26	
14	37.28	15.24	50	83.00	60.96	1K&3K
16	39.82	17.78	60	95.70	73.66	1K&3K
20	44.90	22.86	64	100.78	78.74	1K&3K
24	49.98	27.94				

	DimC
00	
01	3.80
02	7.75



Specifications:

Current Rating: 3.0A AC/DC
 Voltage Rating: 250V AC/DC
 Contact Resistance: 20m ohm. Max.
 Insulation Resistance: 1,000M ohm. Min.
 Withstanding Voltage: 600V AC For One Minute
 Operating Temperature Range: -40°C ~ +105°C

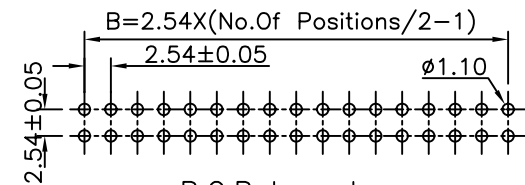
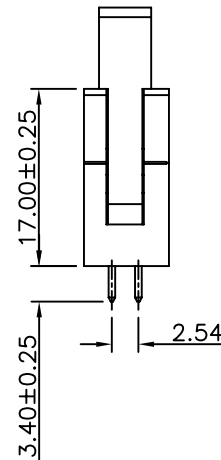
Material and Finish

Insulator: PBT (UL94V-0)
 Insulator Color: Black
 Contact: Copper Alloy
 Finish: Gold Plated

How To Order

SHV254-XXG-XX-XX

- Blank: 6~40 Pin With one Key
- 1K: 50~64 Pin With one Key
- 3K: 50~64 Pin With Three Key
- 01: Short Ejector
- 02: Long Ejector
- Gold Plated
- No. of Positions
- Straight Type



P.C.B Layout

RoHS Compliant

E				DRAWN:	GENERAL TOLERANCE:		DESCRIPTION: 2.54mm Shrouded Header With Ejector Straight Type	SIZE A4
D			WGL	.X=±0.2 .XX=±0.15				
C			CHECKED:	UNIT: MM	PART NO:			
B			Jeremy Liu	SCALE: 2:1				
A	14-Jul-2016	(H0030)	WGL	APPROVAL:	SHEET: 1 / 1			
REV	DATE	FILE	BY	Mike Wu	PROJECTION:			