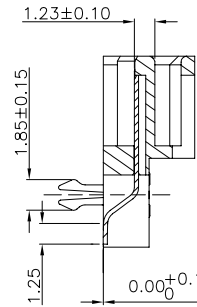
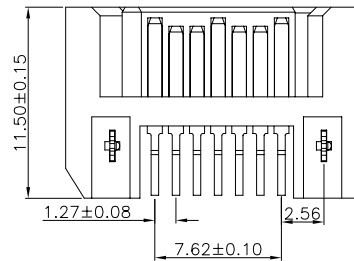
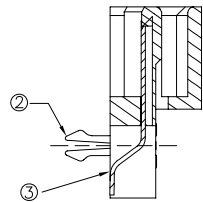
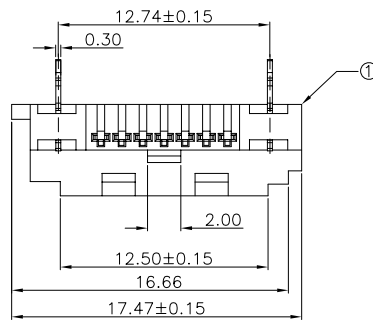
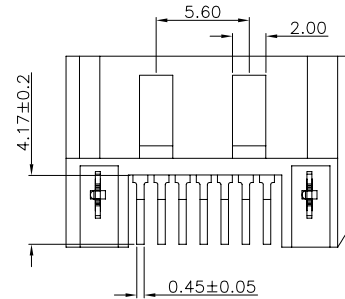


SECTION D-D



SECTION C-C

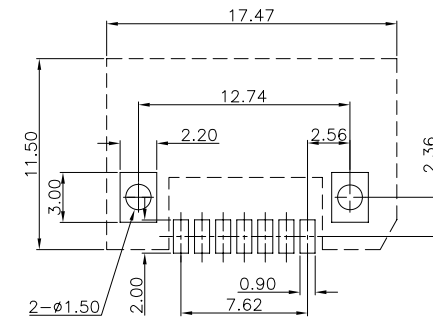


SECTION B-B

Specifications:
 Current Rating:1.0A AC/DC
 Voltage Rating:125V AC/DC
 Contact Resistance:20m ohm max
 Insulation Resistance:1000M ohm max
 Withstanding Voltage:500V AC/minute
 Operating Temperature Range:-20°C To +85°C
 Material and Finish
 Insulator:High Temp Plastic(LCP UL94-0)
 Standard Color:Black
 Contact:Brass
 Plating:Gold Plated on Contact Area;
 Tin Plated on Solder Tail.

How To Order:
 SATPRSM127-07SG-A2-XX

Color/Material; A:Black/PBT
 B:Blue/Ny 6T; C:Black/LCP
 T:Orange/Ny 6T; B1:Orange/PBT
 B2:Blue/PBT; B3:Yellow/PBT
 A2: With Key 4 SideLock Device
 SG: Selective Gold plated
 No. of Positions
 SMD Type
 R:Right Angle Type



Recommended PCB Layout
 PCB Tolerance:±0.05

RoHS Compliant

				DRAWN: Ken Wang	GENERAL TOLERANCE: .X=±0.2 .XX=±0.15			
E				CHECKED: Lily Chou	UNIT: MM		DESCRIPTION: SATA 7P Plug R/A SMD Type Connector	SIZE
D					SCALE:2:1		A4	
C				APPROVAL: Chao Peng	SHEET: 1 / 1	PART NO: SATPRSM127-07SG-A2-XX		
B					PROJECTION:			
A	14-Jul-2013	(H0204)	Ken Wang					
REV	DATE	FILE	BY					