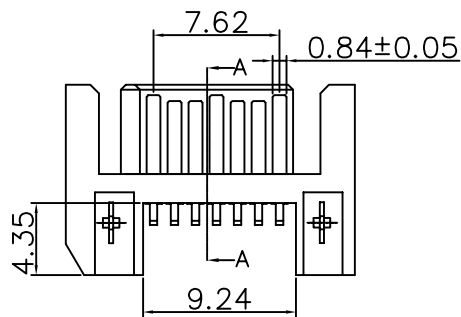
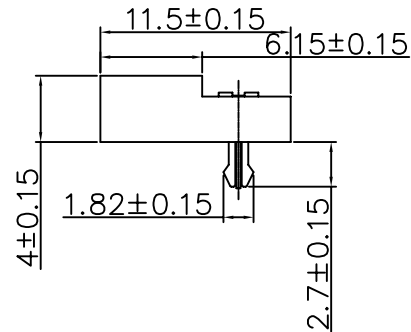
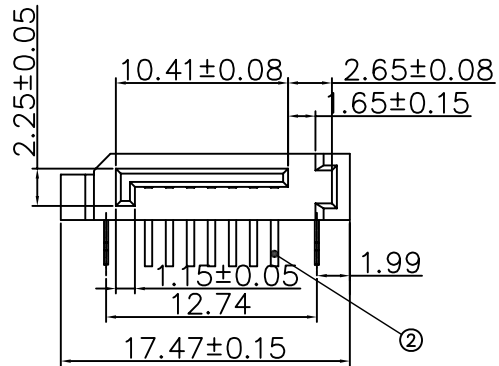
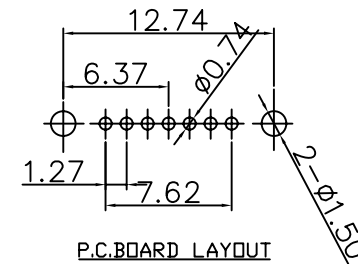


SECTION A-A



Specifications:
 Current Rating:1.0A AC/DC
 Voltage Rating:125V AC/DC
 Contact Resistance:20m ohm max
 Insulation Resistance:1000M ohm max
 Withstanding Voltage:500V AC/minute
 Operating Temperature Range:-20°C To +85°C
 Material and Finish
 Insulator:High Temp Plastic(LCP UL94-0)
 Standard Color:Black
 Contact:Brass
 Plating:Gold Plated on Contact Area;
 Tin Plated on Solder Tail.
 How To Order:
 SATPR127-07-MT
 With Matel Tab
 No. of Positions
 PR:Plug R/A Type



RoHS Compliant

				DRAWN: Ken Wang	GENERAL TOLERANCE: .X=±0.2 .XX=±0.15		DESCRIPTION: SATA 7P Plug R/A Dip Type Connector	SIZE A4
E				CHECKED: Lily Chou	UNIT: MM			
D				APPROVAL: Chao Peng	SCALE:2:1	PART NO: SATPR127-07-MT		
C					SHEET: 1 / 1			
B				PROJECTION:				
A	08-Oct-2017	(L0144)	Ken Wang					
REV	DATE	FILE	BY					