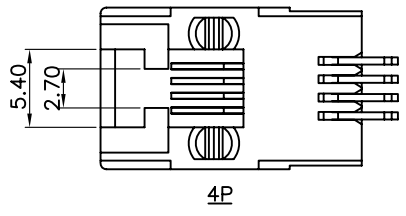
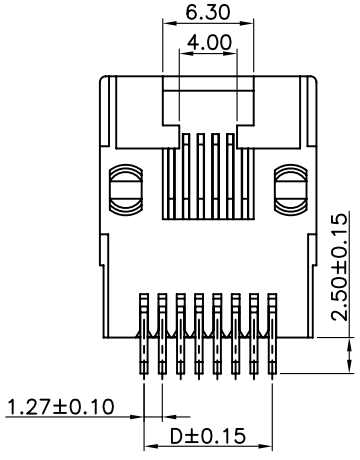
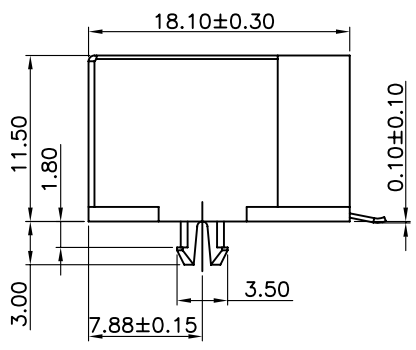
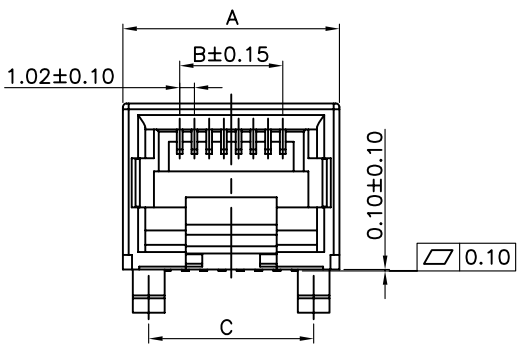


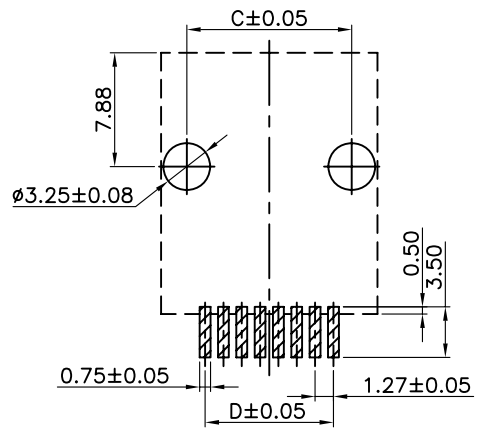
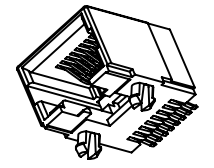
RoHS Compliant



Dimension:

Circuits	Dim A	Dim B	Dim C	Dim D
10	15.00	9.18	11.43	11.43
08	15.00	7.14	11.43	8.89
06	12.96	5.10	10.16	6.35
04	11.20	3.06	7.62	3.81

Specifications:
 Current Rating:1.5A
 Voltage Rating:125V
 Contact Resistance:20m ohm. Max.
 Insulation Resistance:500M ohm. Min.
 Withstanding Voltage:1000V AC For One Minute
 Operating Temperature Range:-40°C To +80°C
 Materials:
 Insulator:High Temp. Plastic(Nylon 6T UL94V-0)
 Insulator Color:Black
 Contact:Phosphor Bronze
 Plating:Selected Gold Plated
 How To Order
 RJRSM-XPXC
 No. of Positions
 R/A SMD Type



Recommended P.C.B Layout

				DRAWN: Jack Zhou	GENERAL TOLERANCE: .X=±0.2 .XX=±0.15		DESCRIPTION: RJ12 Surface Mount SMD Jack	SIZE A4
E				CHECKED: Ken Wang	UNIT: MM			
D				APPROVAL: Make Hu	SCALE:2:1	PART NO: RJRSM-XPXC		
C					SHEET: 1 / 1			
B					PROJECTION:			
A	20-Jan-2014	(PC0001)	Jack Zhou					
REV	DATE	FILE	BY					