

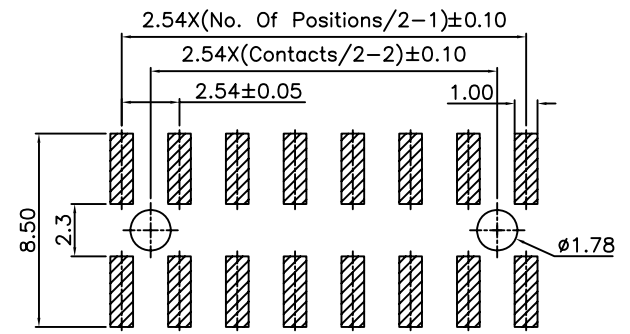
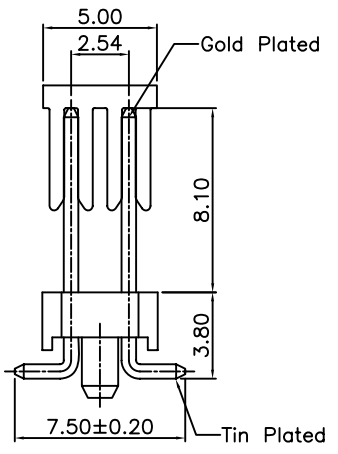
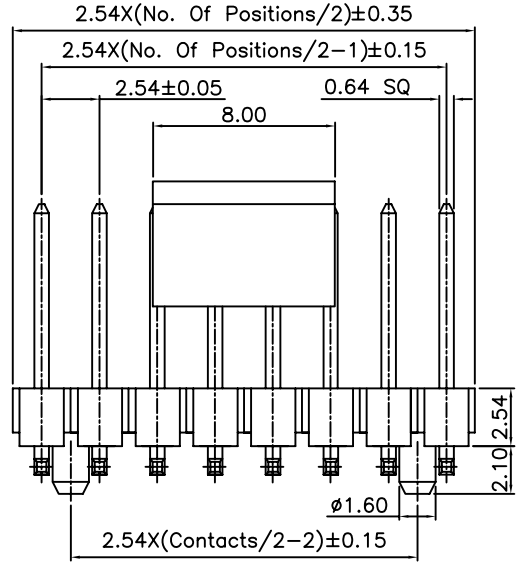
Specifications:

Current rating:3.0A AC/DC  
 Voltage Rating:250V AC/DC  
 Contact Resistance:20m ohm Max  
 Insulation Resistance:1000M ohm Min  
 Withstanding Voltage:600V AC For one Minute  
 Operating Temperature Range:-40°C To +105°C

Materials and Finish  
 Insulator:High Temp. Plastic(Nylon 6T UL94V-0)  
 Insulator Color:Black  
 Contact:Copper Alloy  
 Plating:Gold Plated,Tin Plated

How To Order  
 PHDSM254-XXX-8138-CH

CH:Peg+cap+Tape&Reel  
 Pin Length  
 G:Gold Plated  
 T: Tin Plated  
 SG:Selectirve Gold Plated  
 SG10:10:Selective Gold Plated 10u"  
 No.Of Positions  
 SMT Type



PCB Layout RoHS Compliant

F				DRAWN:	GENERAL TOLERANCE:		DESCRIPTION: 2.54mm Pin Header Right Angle SMT Type	SIZE <b>A4</b>
E			Ken	.X=±0.20 .XX=±0.15				
D			CHECKED:	UNIT: MM				
C			Lily Chou	SCALE: 1:1				
B			APPROVAL:	SHEET: 1 / 1	PART NO:	PHDSM254-XXX-8138-CH		
A	01-SEP-2009	(PC0001)	Ken	PROJECTION:				
REV	DATE	FILE	BY	Chao Peng				