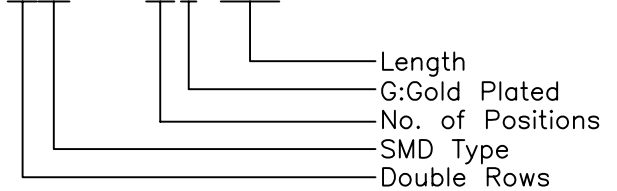



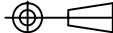
PCB Layout

Specifications:  
 Current Rating:1.0 Amps  
 Voltage Rating:50V AC/DC  
 Contact Resistance:20mohm max.  
 Insulation Resistance:1,000M ohm min.  
 Withstanding Voltage:500V For One Minute  
 Operating Temperature:-25°C ~ +105°C  
 Material

Insulator:High Temp.Plastic(Nylon 6T UL94V-0)  
 Standard Color:Black  
 Contact:Copper Alloy  
 Plating:Gold Plated  
 How To Order  
 PHDSM127-XXG-3030



RoHS Compliant

F				DRAWN: Ken	GENERAL TOLERANCE: .X=±0.20 .XX=±0.15		DESCRIPTION: 1.27mm Pin Header SMT Type	SIZE <b>A4</b>
E								
D				CHECKED: Lily Chou	UNIT: MM	PART NO: PHDSM127-XXG-3030		
C					SCALE: 1:1			
B				APPROVAL: Chao Peng	SHEET: 1 / 1			
A	05-Sep-2019	(PC0001)	Ken		PROJECTION: 			
REV	DATE	FILE	BY					