

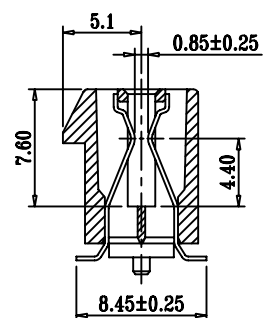
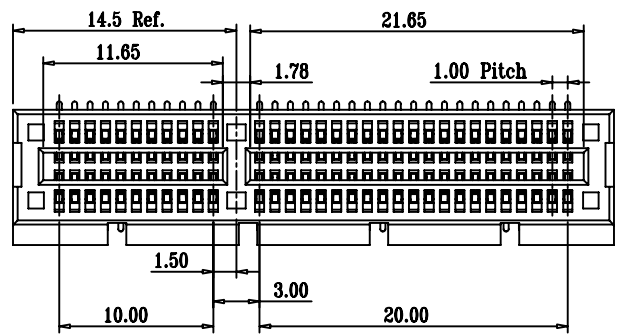
1

2

3

4

5



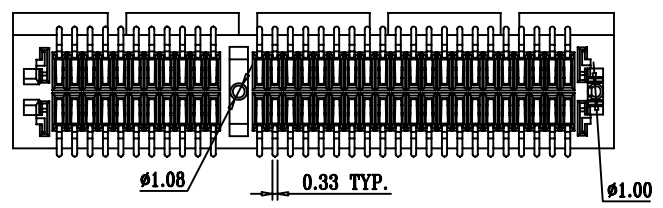
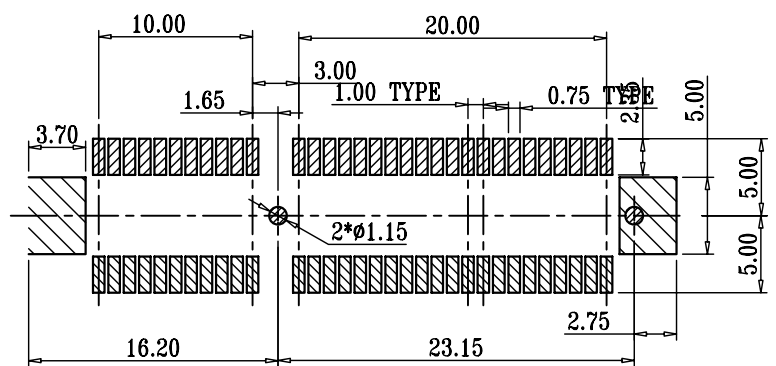
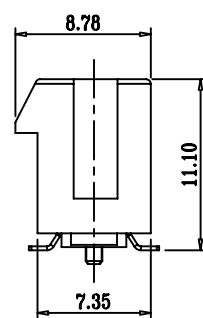
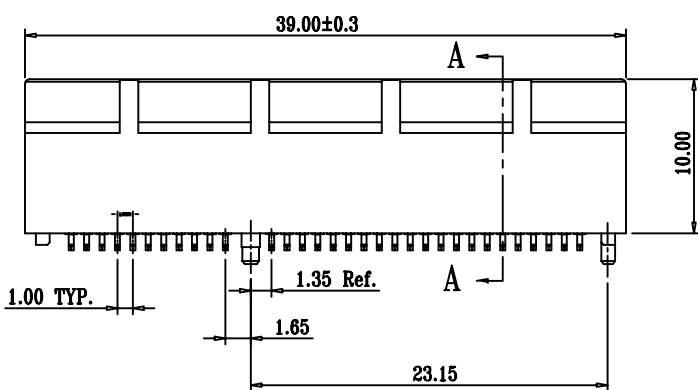
SECTION A-A

Electric Specifications
 Current Rating:1.1Amps
 Rating Voltage: 250V AC
 Insulation Resistance:100M Ohm Min At DC 500V
 Contact Resistance:30m Ohm Max At DC 100m Amps
 Withstanding Voltage:1 Minute At 750V r.m.s Min
 Temperature Range:-40°C~85°C

Materials:
 Insulator:High Temp. Plastic (LCP UL94V-0)
 Insulator Color:Balck
 Terminal :Copper Alloy
 Plating:Selective Gold Plated

How To Order
 PCIEVSM10-64GX

Blank Selective Gold Plated 1u"
 G5:Selective Gold Plated 5u"
 G15:Selective Gold Plated 15u"
 Clamping Plated Type



PCB LAYOUT
 COMPANENT SIDE

RoHS Compliant

E				DRAWN: WGL	GENERAL TOLERANCE: .X=±0.2 .XX=±0.15		DESCRIPTION: PCI-E 64P Vertical SMT Type	SIZE A4
D				CHECKED: Jeremy Liu	UNIT: MM SCALE:2:1			
C				APPROVAL: Mike Wu	SHEET: 1 / 1	PART NO: PCIEVSM10-64GX		
B					PROJECTION:			
A	24-Aug-2020	(PC0001)	WGL					
REV	DATE	FILE	BY					

A

B

C

D