

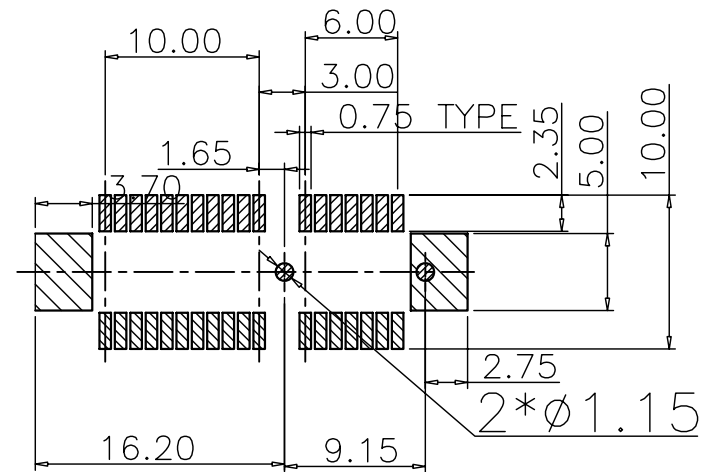
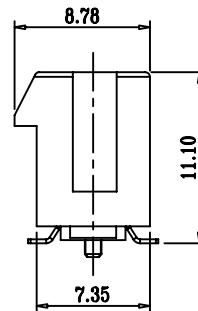
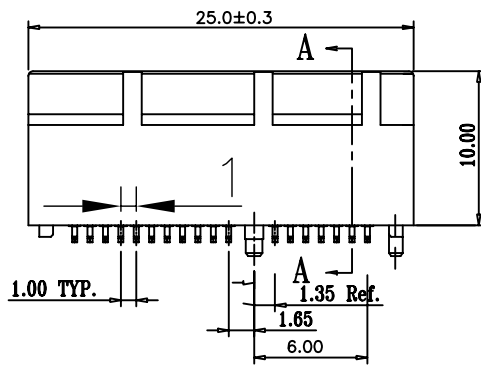
SECTION A-A

Electric Specifications  
 Current Rating:1.1Amps  
 Rating Voltage: 250V AC  
 Insulation Resistance:100M Ohm Min At DC 500V  
 Contact Resistance:30m Ohm Max At DC 100m Amps  
 Withstanding Voltage:1 Minute At 750V r.m.s Min  
 Temperature Range:-40°C~85°C  
 Materials:

Insulator:High Temp. Plastic (LCP UL94V-0)  
 Insulator Color:Balck  
 Terminal :Copper Alloy  
 Plating:Selective Gold Plated

How To Order  
 PCIEVSM10-36GX

Blank Selective Gold Plated 1u"  
 G5:Selective Gold Plated 5u"  
 G15:Selective Gold Plated 15u"  
 Clamping Plated Type



PCB LAYOUT  
 COMPANENT SIDE

RoHS Compliant

REV	DATE	FILE	BY	DRAWN: WGL	GENERAL TOLERANCE: .X=±0.2 .XX=±0.15		DESCRIPTION: PCI-E 36P Vertical SMT Type	SIZE A4
A	24-Aug-2020	(PC0001)	WGL	CHECKED: Jeremy Liu	UNIT: MM SCALE:2:1			
B				APPROVAL: Mike Wu	SHEET: 1 / 1			
C					PROJECTION:			
D								