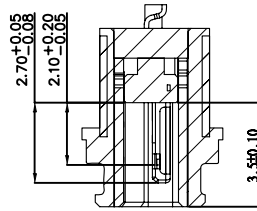
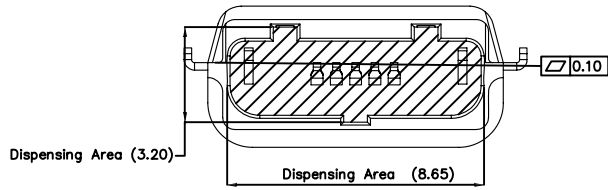
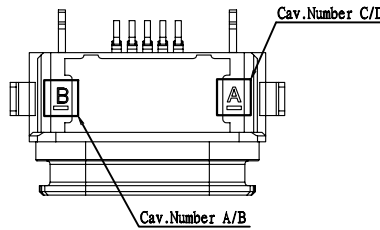
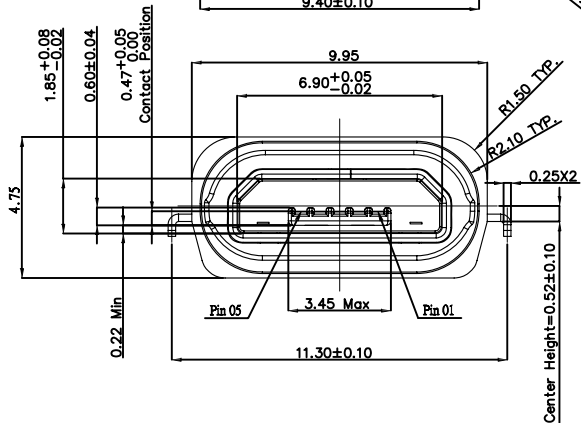
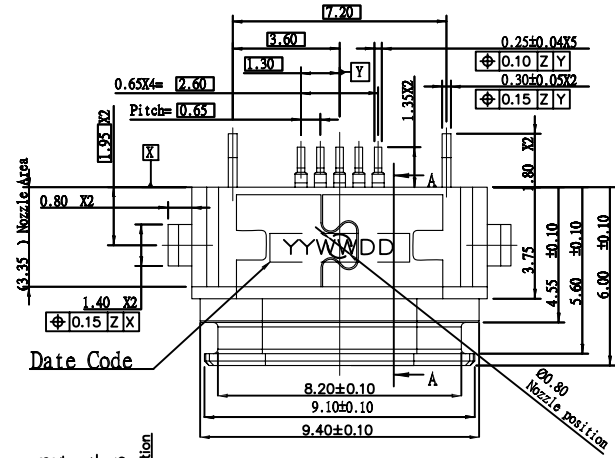
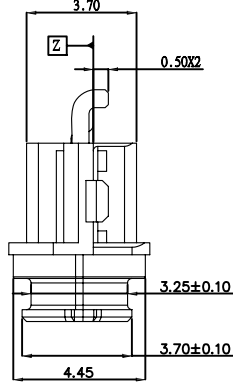




= Dispensing Area

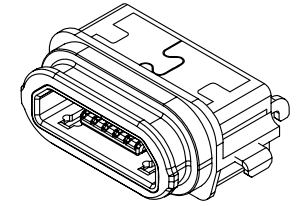


剖面圖 A-A



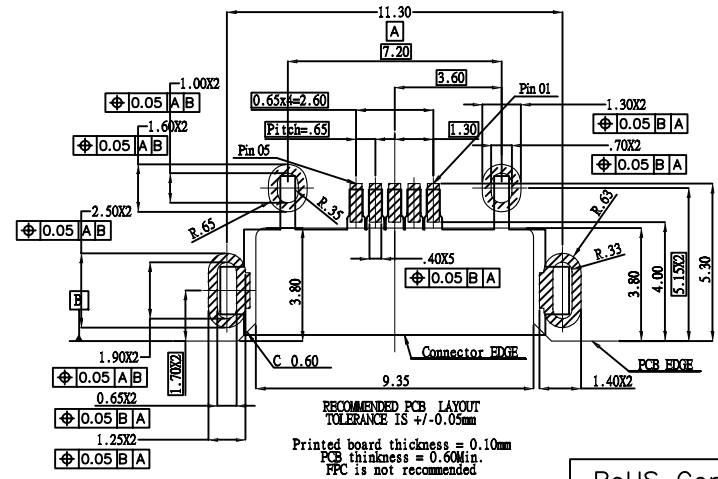
Specifications:
 Current Rating:1.0A AC,DC
 Voltage Rating:30V AC,DC
 Contact Resistance:20M Ohm Max
 Insulation Resistance:1,000M Ohm Min
 Withstanding Voltage:750V AC/Minute
 Operating Temperature Range:-40°C to +105°C
 Materials:

Insulator:High Temp.Plastic (LCP UL94V-0)
 Contact:Brass
 Plating:Gold Plated on Contact Area,
 Tin Plated on Solder Tail.
 Shell:SPCC,Tin Plate



How To Order
 MUBPRSM2-05IP

IPX7
 No. Of Positions
 Mirco USB Plug



RoHS Compliant

| | | | | | |
|-----|--|---------|--|-----------|-------------|
| E | | | | DRAWN: | Jack Zhou |
| D | | | | CHECKED: | Ken Wang |
| C | | | | APPROVAL: | Jack Zhou |
| B | | | | DATE | 28-Oct-2015 |
| A | | (H0001) | | FILE | |
| REV | | | | BY | Make Hu |

| | |
|--------------------|----------------------|
| GENERAL TOLERANCE: | .X=±0.2 .XX=±0.15 |
| UNIT: MM | |
| SCALE:2:1 | |
| SHEET: 1 / 1 | |
| PROJECTION: | |

| | |
|--------------|----------------------------|
| DESCRIPTION: | Mirco USB Plug 5P SMT Type |
| PART NO: | MUBPRSM2-05IP |



SIZE
A4