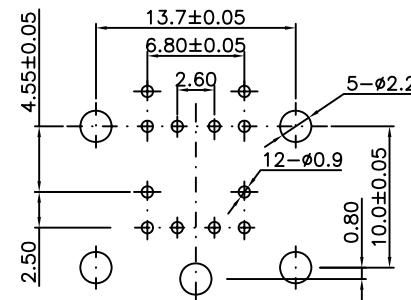


Specifications:

Current Rating:1.0A AC/DC
 Voltage Rating:12V AC/DC
 Contact Resistance: 20m Ohm. Max
 Insulation Resistance: 100M Ohm. Min.
 Withstanding Voltage:250V AC For One Minute
 Operating Temperature Range:-40°C To +105°C
 Material And Finish:
 Insulator:PBT (UL94V-0)
 Insulator Color:Black
 Contact:Phosphor Bronze Selective Gold Plated
 Shell:Brass Tin Plated
 How To Order
 MDDS-12-UGDP

Down Purple
 UP Green



PCB Layout

RoHS Compliant

				DRAWN: Ken Wang	GENERAL TOLERANCE: .X=±0.2 .XX=±0.15			
E				CHECKED: Lily Chou	UNIT: MM		DESCRIPTION:	SIZE
D				APPROVAL: Chao Peng	SCALE:2:1	Mini Din Socket R/A Dip Connector	A4	
C					SHEET: 1 / 1	PART NO:		
B					PROJECTION:	MDDS-12-UGDP		
A	08-Oct-2017	(L0144)	Ken Wang					
REV	DATE	FILE	BY					