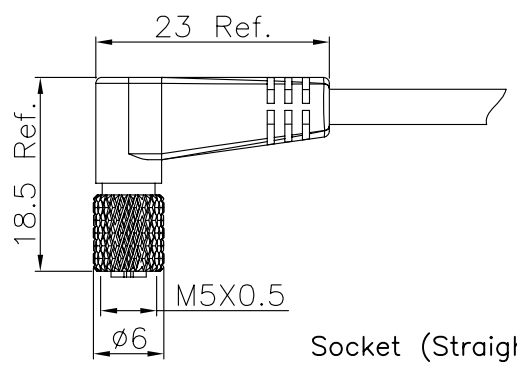


Plug (Straight Type)

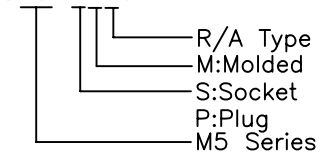


Socket (Straight Type)

Specifications:

- Current Rating:1A AC/DC
- Voltage Rating:60V AC/DC
- Contact Resistance:5m ohm. Max.
- Insulation Resistance:100M ohm. Min.
- Withstanding Voltage:500V AC/Minute
- Waterproof rate:IP67
- Operating Temperature Range:-25°C ~ +90°C
- Material and Finish
- Insulator:TPU/PA+GF
- Contact:Brass Gold Plated
- Nut/Screw:Brass Nickel Plated
- Connector Overmold:TPU
- Seal/O-ring:Expoxy resin/FKM

How to Order
MCM5-XMR01



Contact Configuration:

Pin	Contacts		Contacts Termination	Wire gauge /size	
	Socket	Plug		AWG	mm ²
3Pin (A Coding)			Solder	26	0.14
4Pin (A Coding)			Solder	26	0.14

RoHS Compliant

F				DRAWN: ANDREW	GENERAL TOLERANCE: .X=±0.2 .XX=±0.15 .XXX=±0.10		DESCRIPTION: M5 Cable Assemble R/A Type Connector	SIZE
E								
D				APPROVAL: NORMAN	SCALE: 1:1	PART NO: MCM5-XMR01	A4	
C					SHEET: 1/1			PROJECTION:
B								
A	21-MAR-2019	(PC0001)	ANDREW					
REV	DATE	FILE	BY					