

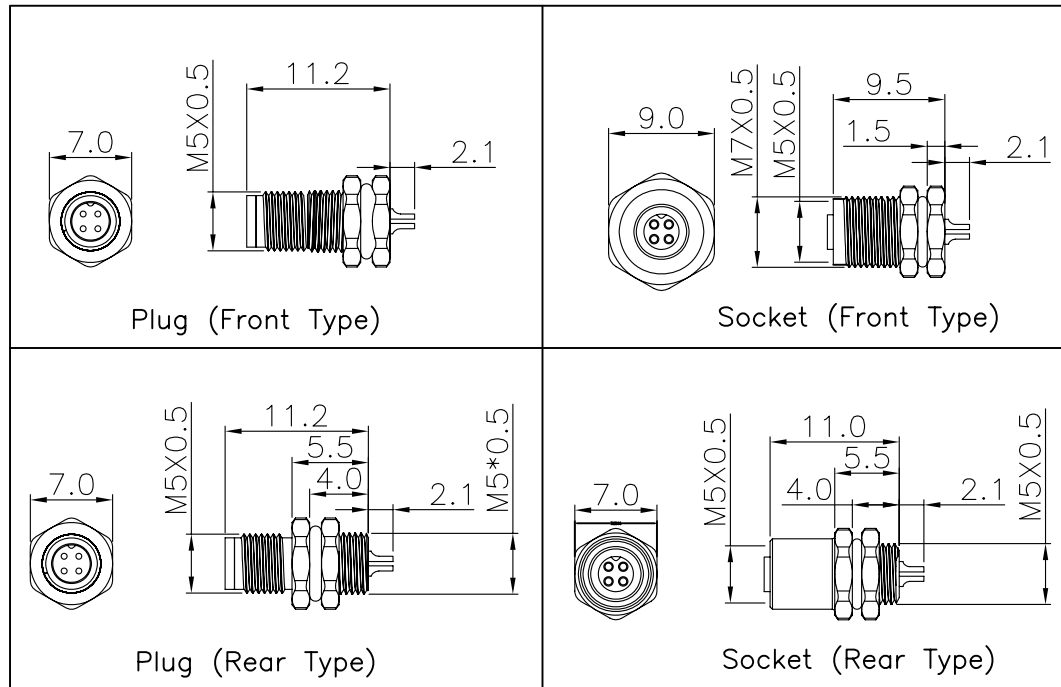
1

2

3

4

5



Specifications:

Current Rating:1A AC/DC

Voltage Rating:60V AC/DC

Contact Resistance:5m ohm. Max.

Insulation Resistance:100M ohm. Min.

Withstanding Voltage:500V AC/Minute

Waterproof rate:IP67

Operating Temperature Range:-25°C ~ +90°C

Material and Finish

Insulator:TPU/PA+GF

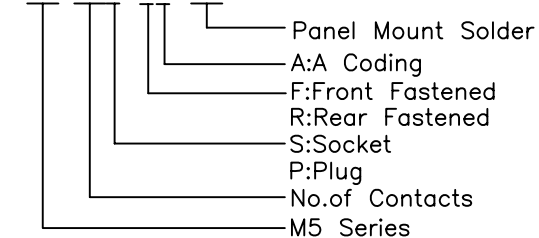
Contact:Brass Gold Plated

Nut/Screw:Brass Nickel Plated

Seal/O-ring:Expoxy resin/FKM

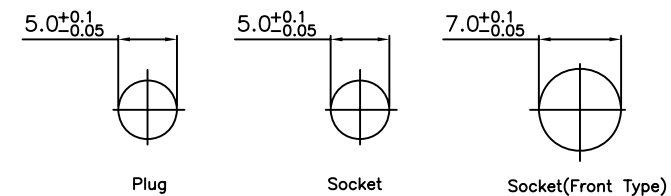
How to Order

M5-XXX-XA-PM



Contact Configuration:

	Contacts		Contacts Termination	Wire gauge /size	
	Pin	Socket		Plug	AWG
3Pin (A Coding)			Solder	26	0.14
4Pin (A Coding)			Solder	26	0.14



Recommended Panel Cut-Out

RoHS Compliant

F				DRAWN: ANDREW	GENERAL TOLERANCE: .X=±0.2 .XX=±0.15 .XXX=±0.10		DESCRIPTION: M5 Panec Mount/Solder/Rear Fastened Connector	SIZE
E								
D				CHECKED: BILLHE	UNIT: MM	PART NO:	A4	
C					SCALE: 1:1			
B				APPROVAL: NORMAN	SHEET: 1/1	M5-XXX-XA-PM	A4	
A	01-MAR-2019	(PC0001)	ANDREW		PROJECTION:			
REV	DATE	FILE	BY					