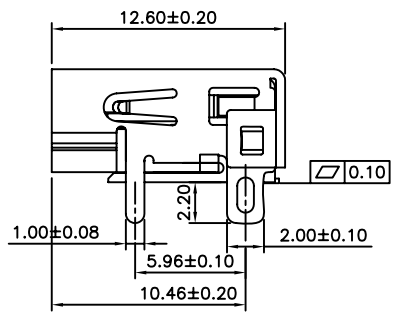
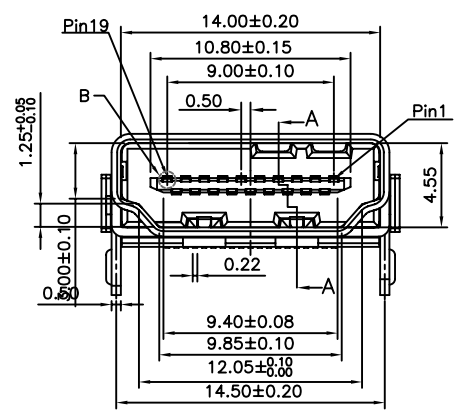
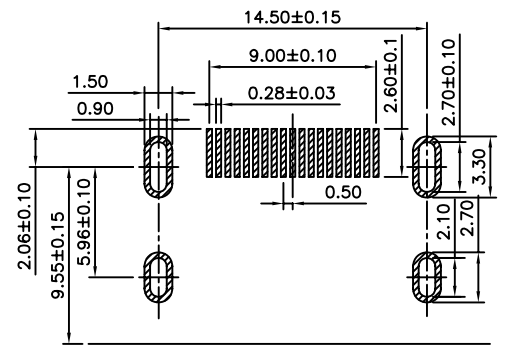


Section:A-A



Specification:
 Current Rating:0.8A AC/DC.
 Voltage Rating:40V AC/DC
 Contact Resistance:30m ohm. Max.
 Insulation Resistance:100M ohm. Min.
 Withstanding Voltage:300V AC/minute.
 Operating Temperature Range:-25°C~+85°C
 Material and Finish
 Insulator: High. Temp. plastic(LCP UL94V-0)
 Insulator Color:Black.
 Contact:Copper Alloy
 Plating:Selective Gold Plated
 Shell:Brass,Nickel Plated
 How To Order
 HDPRSM-19

No.of Contacts
 Socket R/A SMT Type



Recommended PCB Layout T=1.6±0.15

RoHS Compliant

				DRAWN: Jeremy Liu
				CHECKED: Jerry Chen
A	11-May-2017	(H0001)	Jeremy Liu	APPROVAL:
REV	DATE	FILE	BY	Mike Wu

GENERAL TOLERANCE: .X=±0.20 .XX=±0.15
UNIT: MM
SCALE: 1:1
SHEET: 1 / 1
PROJECTION:

DESCRIPTION: HDMI Socket R/A SMT Type	SIZE A4
PART NO: HDPRSM-19	

A
B
C

D