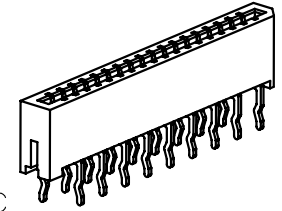
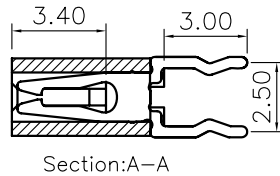


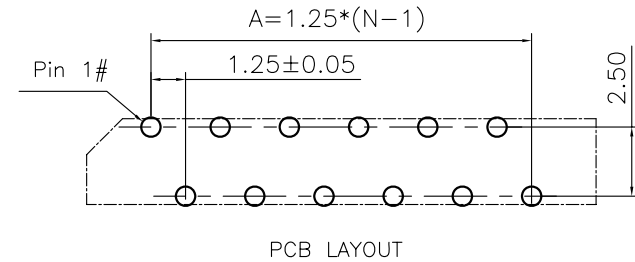
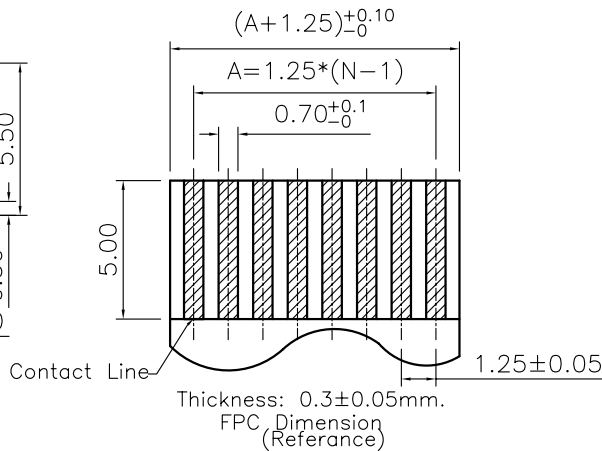
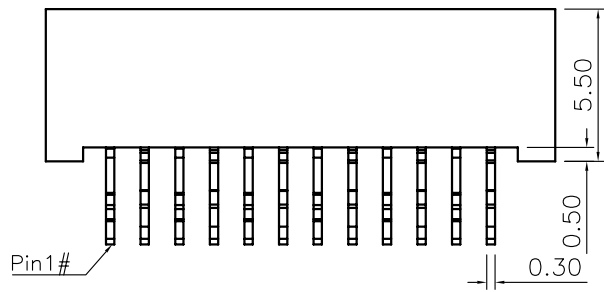
Notes:
N=NO. Of Positions



Specifications:
Current Rating:1.0 Amps
Voltage Rating:200V AC/DC
Contact Resistance:20m Ohm Max
Insulator Resistance:500M Ohm Min
Dielectric Withstanding Voltage:500V AC/minute
Operating Temperature Range:-25°C~+85°C
Material:

Insulator:High Temperature Plastic(UL94V-0)
Contact: Copper Alloy
Finish:Tin plated
How To Order
FPCV125-XXA

A Type
No. of Contacts
V: Straight Type



Pin	Dim A	Dim B	Dim C	Pin	Dim A	Dim B	Dim C	Pin	Dim A	Dim B	Dim C
3	2.50	5.05	7.15	13	15.00	17.55	19.65	23	27.50	30.05	32.15
4	3.75	6.30	8.40	14	16.25	18.80	20.90	24	28.75	31.30	33.40
5	5.00	7.55	9.65	15	17.50	20.05	22.15	25	30.00	32.55	34.65
6	6.25	8.80	10.90	16	18.75	21.30	23.40	26	31.25	33.80	35.90
7	7.50	10.05	12.15	17	20.00	22.55	24.65	27	32.50	35.05	37.15
8	8.75	11.30	13.40	18	21.25	23.80	25.90	28	33.75	36.30	38.40
9	10.00	12.55	14.65	19	22.50	25.05	27.15	29	35.00	37.55	39.65
10	11.25	13.80	15.90	20	23.75	26.30	28.40	30	36.25	38.80	40.90
11	12.50	15.05	17.15	21	25.00	27.55	29.65				
12	13.75	16.30	18.40	22	26.25	28.80	30.90				

RoHS Compliant

F				DRAWN: Ken	GENERAL TOLERANCE: .X=±0.20 .XX=±0.15	HOYATO 东莞好亚通电子厂 Connector supplies	DESCRIPTION: 1.25mm FPC Straight A Type	SIZE A4
E								
D				CHECKED: Lily Chou	UNIT: MM	PART NO: FPCV125-XXA		
C					SCALE: 1:1			
B				APPROVAL: Chao Peng	SHEET: 1 / 1			
A	01-SEP-2013	(PC0001)	Ken		PROJECTION:			
REV	DATE	FILE	BY					