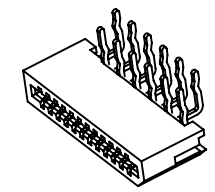


FPC Dimension(Reference)

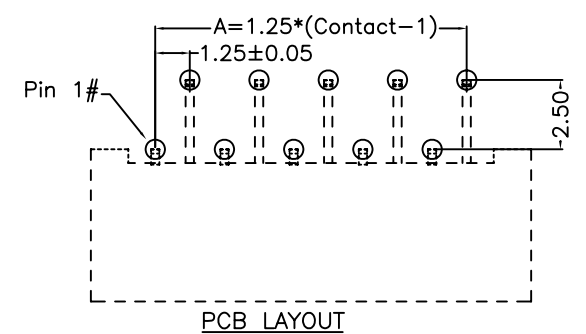
3	2.50	5.05	7.15	14	16.25	18.80	20.90
4	3.75	6.30	8.40	15	17.50	20.05	22.15
5	5.00	7.55	9.65	16	18.75	21.30	23.40
6	6.25	8.80	10.90	17	20.00	22.55	24.65
7	7.50	10.05	12.15	18	21.25	23.80	25.90
8	8.75	11.30	13.40	19	22.50	25.05	27.15
9	10.00	12.55	14.65	20	23.75	26.30	28.40
10	11.25	13.80	15.90	21	25.00	27.55	29.65
11	12.50	15.05	17.15	22	26.25	28.80	30.90
12	13.75	16.30	18.40	23	27.50	30.05	32.15
13	15.00	17.55	19.65	24	28.75	31.30	33.40
Pin	Dim A	Dim B	Dim C	Pin	Dim A	Dim B	Dim C
25	30.00	32.55	34.65				
26	31.25	33.80	35.90				
27	32.50	35.05	37.15				
28	33.75	36.30	38.40				
29	35.00	37.55	39.65				
30	36.25	38.80	40.90				
Pin	Dim A	Dim B	Dim C				



Specifications:  
 Current Rating:1.0 Amps  
 Voltage Rating:200V AC/DC  
 Contact Resistance:20m Ohm Max  
 Insulator Resistance:500M Ohm Min  
 Dielectric Withstanding Voltage:500V AC/minute  
 Operating Temperature Range:-25°C~+85°C  
 Material:

Insulator:High Temperature Plastic(UL94V-0)  
 Contact: Copper Alloy  
 Finish: Tin plated  
 How To Order  
 FPCR125-XXA

A Type  
 No. of Contacts  
 R:R/A Type



RoHS Compliant

F				DRAWN:	GENERAL TOLERANCE:		DESCRIPTION:	SIZE	
E				Ken	.X=±0.20 .XX=±0.15				
D				CHECKED:	UNIT: MM				1.25mm FPC Straight A Type
C				Lily Chou	SCALE: 1:1				
B				APPROVAL:	SHEET: 1 / 1	PART NO:	A4		
A	01-SEP-2013	(PC0001)	Ken	Chao Peng	PROJECTION:			FPCR125-XXA	
REV	DATE	FILE	BY						