

Specifications:

Current rating:3.0A AC,DC  
 Voltage rating:250V AC,DC  
 Contact resistance:30mohm max.  
 Insulation resistance: 5,000Mohm min.  
 Withstanding voltage:1,000V AC/Minute  
 Operating Temperature range:-40°C ~ +85°C

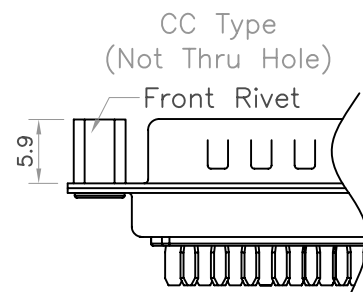
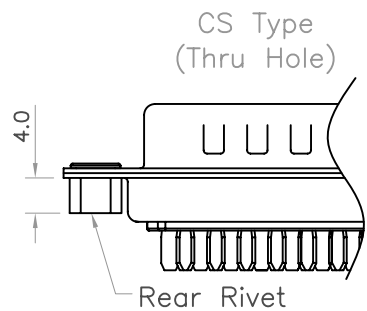
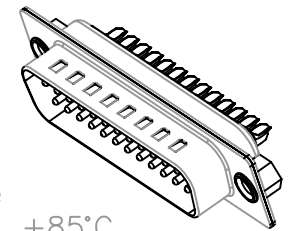
Materials:

Insulator:High temp.plastic (UL94V-0)  
 Contact:Copper alloy Nickel Undercoated,  
 Selective Gold plated  
 Front metal shell: Nickel plated  
 Rear metal shell: Tin plated

How To Order

DBOP-XX-XX-XX

Blank:White(Standard Color)  
 BK:Black; BU:Blue  
 Blank:Standard type  
 CS:Rear Rivet  
 CC:Front Rivet  
 No.Of Positions



Pos	A	B	C
9	16.92	24.99	30.81
15	25.25	33.32	39.14
25	38.96	47.04	53.04
37	55.42	63.50	69.32

RoHS Compliant

E				DRAWN:	Jack Zhou	GENERAL TOLERANCE:		DESCRIPTION: D-SUB Solder Male Stamp Pin Type	SIZE <b>A4</b>
D				CHECKED:	Ken Wang	.X=±0.2 .XX=±0.15			
C				APPROVAL:	Make Hu	UNIT: MM			
B						SCALE:2:1			
A	04-Sep-2013	(H0036)	Jack Zhou			SHEET: 1 / 1	PART NO:	DBOP-XX-XX-XX	
REV	DATE	FILE	BY			PROJECTION:			