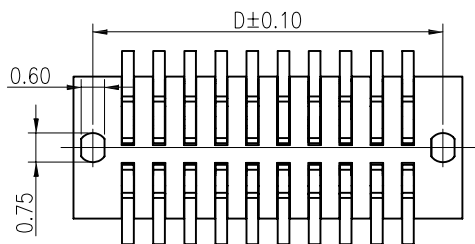
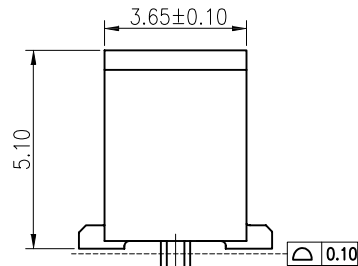
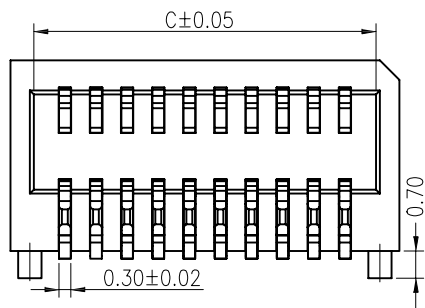


MATING HEIGHT
SCALE:1.25:1



NO. of contacts	Dimensions				NO. of contacts	Dimensions			
	A.	B.	C.	D.		A.	B.	C.	D.
4	3.60	0.80	2.40	2.60	30	14.00	11.20	12.80	13.00
6	4.40	1.60	3.20	3.40	32	14.80	12.00	13.60	13.80
8	5.20	2.40	4.00	4.20	34	15.60	12.80	14.40	14.60
10	6.00	3.20	4.80	5.00	36	16.40	13.60	15.20	15.40
12	6.80	4.00	5.60	5.80	38	17.20	14.40	16.00	16.20
14	7.60	4.80	6.40	6.60	40	18.00	15.20	16.80	17.00
16	8.40	5.60	7.20	7.40	42	18.80	16.00	17.60	17.80
18	9.20	6.40	8.00	8.20	44	19.60	16.80	18.40	18.60
20	10.00	7.20	8.80	9.00	46	20.40	17.60	19.20	19.40
22	10.80	8.00	9.60	9.80	48	21.20	18.40	20.00	20.20
24	11.60	8.80	10.40	10.60	50	22.00	19.20	20.80	21.00
26	12.40	9.60	11.20	11.40	52	22.80	20.00	21.60	21.80
28	13.20	10.40	12.00	12.20					

Specifications

Current Rating:0.5A AC/DC
Voltage Rating:100V AC/DC
Contact Resistance:40m ohm. Max
Insulation Resistance:100Mohm min
Withstanding Voltage:500V(r.m.s) For one Minute
Operating Temperature Range:-40°C to 105°C
Material and Finish

Insulator:High Temp. Plastic(Nylon 9T UL94V-0)
Color:Beige

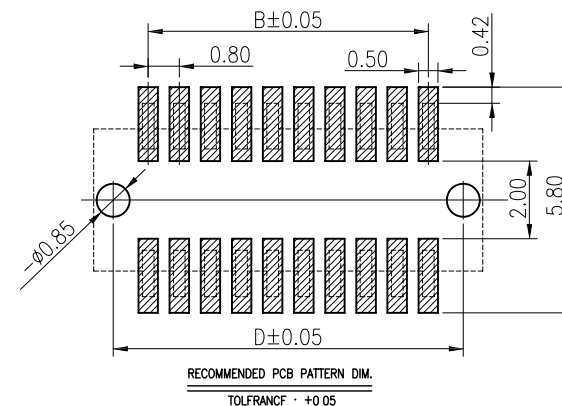
Contact :Copper Alloy
Plated:Gold Plated

Package :1000pcs/Reel

How To Order:

BBPR08-XXG-510A-XX-TR

- Tape&Reel
- Blank With Post
- PN:Without Post
- Height 5.1mm
- Gold Plated
- No. of Contacts



RECOMMENDED PCB PATTERN DIM.
TOLERANCE: +0.05

F			
E			
D			
C			
B			
A	29-Jan-2017	(PC0001)	Ken
REV	DATE	FILE	BY

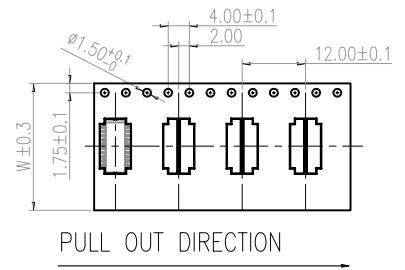
DRAWN:	Ken
CHECKED:	Lily Chou
APPROVAL:	Chao Peng
GENERAL TOLERANCE:	.X=±0.20 .XX=±0.15
UNIT:	MM
SCALE:	1:1
SHEET:	1 / 1
PROJECTION:	



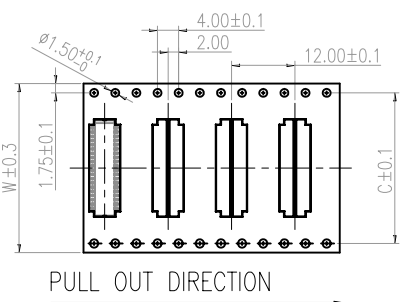
DESCRIPTION:	0.8mm Board To Board Plug 5.1mm Height SMT Type
PART NO:	BBPR08-XXG-510A-XX-TR

SIZE
A4

Tape width 16 and 24 mm

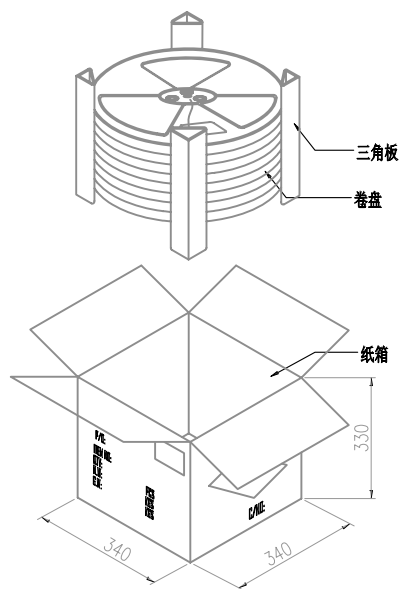
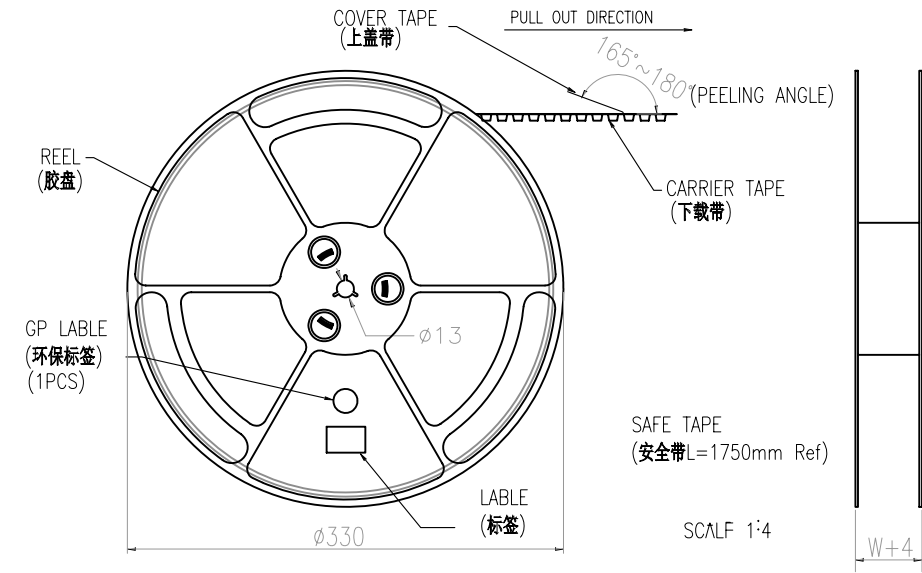


Tape width 32 and 44 mm



NOTE:

- 1.10 Sprocket hole pitch cumulative tolerance ± 0.20 .
2. Carrier camber is within 1mm in 100mm.
3. Material: black conductive polystyrene alloy.
4. Material Thickness: 0.3 ± 0.05 mm.
5. All dimensions meet EIA-481-B requirements.
6. 5000pcs Pef Reel.
7. For tape width(dim W)16 and 24mm pilot holes are provided on one sides.
For tape width(dim W)32, 44 and 56mm pilot holes are provided on both sides.



PIN NO.	W	C	PCS /REEL	REEL/CARTON	SUM(PCS)
4PIN~20PIN	16	-	1000	12	12000
21PIN~40PIN	24	-	1000	10	10000
41Pin~50PIN	32	28.4	1000	8	8000
51Pin~60PIN	44	40.4	1000	6	6000

F				DRAWN:	GENERAL TOLERANCE: .X = ± 0.20 .XX = ± 0.15		DESCRIPTION: 0.8mm Board To Board Plug 5.1mm Height SMT Type	SIZE
E				Ken				
D				CHECKED:	UNIT: MM	PART NO:	TPK-BBPR08-XXG-510A-TR	A4
C				Lily Chou	SCALE: 1:1			
B				APPROVAL:	SHEET: 1 / 1	PROJECTION:		
A	29-Jan-2017	(PC0001)	Ken	Chao Peng				
REV	DATE	FILE	BY					