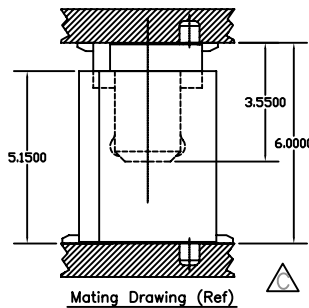
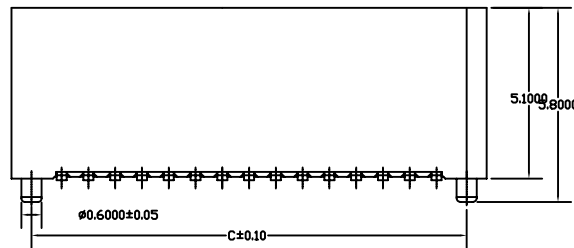


Section:A-A



Mating Drawing (Ref)

**Mating Height Dimension

P/N(Plug)	P/N(Socket)	Socket Height Dim	Mating Height Dim
2011-XXG-515	2010-XXG-355	3.55	6.00

Dimensions

Circuits	A	B	C	D	Circuits	A	B	C	D	Circuits	A	B	C	D
10	6.20	4.90	5.00	3.20	26	12.60	11.30	11.40	9.60	50	22.20	20.90	21.00	19.20
12	7.00	5.70	5.80	4.00	28	13.40	12.10	12.20	10.40	60	26.20	24.90	25.00	23.20
14	7.80	6.50	6.60	4.80	30	14.20	12.90	13.00	11.20	68	29.40	28.10	28.20	26.40
16	8.60	7.30	7.40	5.60	32	15.00	13.70	13.80	12.00	70	30.20	28.90	29.00	27.20
18	9.40	8.10	8.20	6.40	34	15.80	14.50	14.60	12.80	80	34.20	32.90	33.00	31.20
20	10.20	8.90	9.00	7.20	36	16.60	15.30	15.40	13.60	90	38.20	36.90	37.00	35.20
22	11.00	9.70	9.80	8.00	38	17.40	16.10	16.20	14.40	100	42.20	40.90	41.00	39.20
24	11.80	10.50	10.60	8.80	40	18.20	16.90	17.00	15.20					

Specifications

Current Rating:0.5A AC/DC
 Voltage Rating:100V AC/DC
 Contact Resistance:40m ohm. Max
 Insulation Resistance:100Mohm min
 Withstanding Voltage:500V(r.m.s) For one Minute
 Operating Temperature Range:-40°C to 105°C
 Materials:

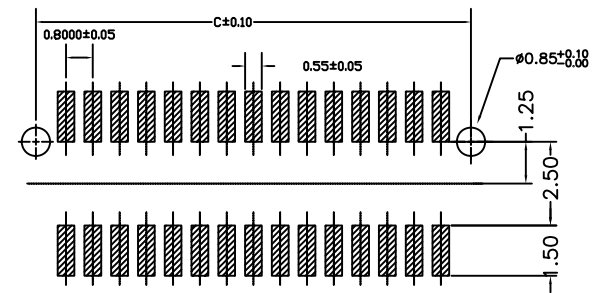
Insulator:High Temp. Plastic(Nylon 46 UL94V-0)
 Color:White

Conact :Phosphor Bronze
 Plated:Gold Plated

Packing:700Pcs/Reel
 How To Order

BBP08-XXG-515-TR

Tape&Reel
 Height 5.15mm
 Gold Plated
 No. Of Contacts



PCB Layout

RoHS Compliant

F			
E			
D			
C			
B			
A	01-SEP-2009	(PC0001)	Ken
REV	DATE	FILE	BY

DRAWN: Ken
 CHECKED: Lily Chou
 APPROVAL: Chao Peng

GENERAL TOLERANCE:
 .X=±0.20
 .XX=±0.15
 UNIT: MM
 SCALE: 1:1
 SHEET: 1 / 1
 PROJECTION:

DESCRIPTION: 0.8mm Board To Board Plug
 5.15mm Height SMT Type
 PART NO: BBP08-XXG-515-TR

SIZE
A4