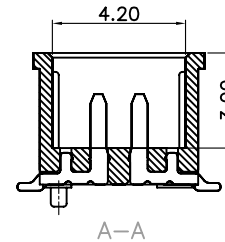
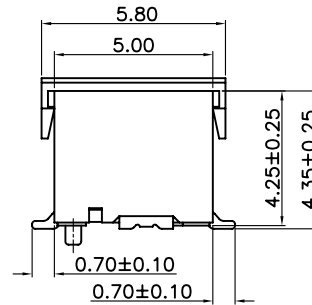
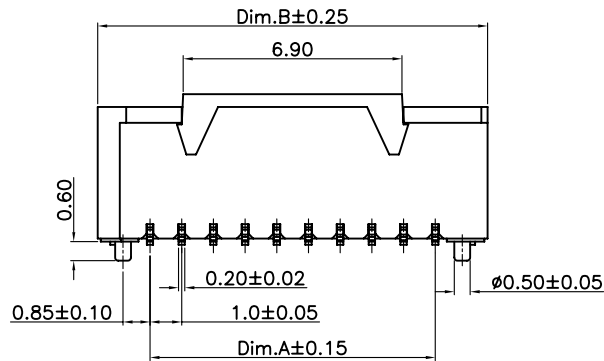
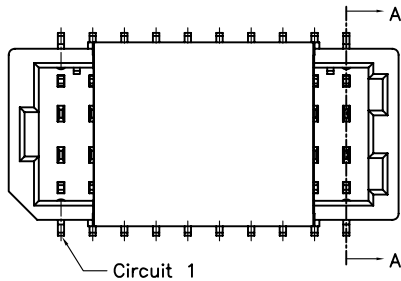


Specifications:

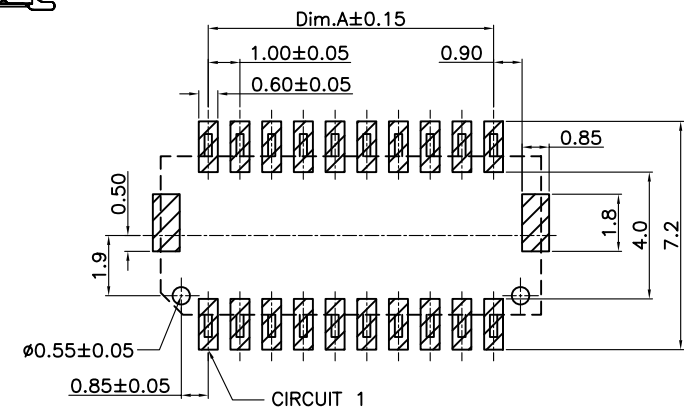
Current Rating:1.0A AC/DC  
 Voltage Rating:50V AC/DC  
 Contact Resistance:20m ohm. max.  
 Insulation Resistance:100M ohm. min.  
 Withstanding Voltage:500V AC For One Minute  
 Operating Temperature Range:-25°C ~ +85°C  
 Material And Finish  
 Insulator:High Temp. Plastic (Nylon46 UL94V-0)  
 Insulator Color:Natural(White)  
 Material:Brass  
 Plating:Gold Plated/Tin Plated  
 How To Order  
 WFDVSM10-XXX-XX-CR

Cap+Tape & Reel  
 Blank  
 01:Without Post  
 Blank Gold Plated  
 T: Tin Plated  
 No. Of Positions  
 Straight SMD Type



Dimension

| Poles | DIM:(mm) |       | Poles | DIM:(mm) |       |
|-------|----------|-------|-------|----------|-------|
|       | A        | B     |       | A        | B     |
| 12    | 5.00     | 8.30  | 20    | 9.00     | 12.30 |
| 14    | 6.00     | 9.30  | 30    | 14.00    | 17.30 |
| 16    | 7.00     | 10.30 | 40    | 19.00    | 22.30 |
| 18    | 8.00     | 11.30 | 50    | 24.00    | 27.30 |



P.C.B LAYOUT

RoHS Compliant

|     |             |          |     |           |                       |          |  |                   |
|-----|-------------|----------|-----|-----------|-----------------------|----------|--|-------------------|
| F   |             |          |     | DRAWN:    | GENERAL TOLERANCE:    |          | DESCRIPTION:<br>1.0mm Wafer Double Straight SMT Type | SIZE<br><b>A4</b> |
| E   |             |          |     | Ken       | .X=±0.20<br>.XX=±0.15 |          |  |                   |
| D   |             |          |     | CHECKED:  | UNIT: MM              |          |  |                   |
| C   |             |          |     | Lily Chou | SCALE: 1:1            |          |  |                   |
| B   |             |          |     | APPROVAL: | SHEET: 1 / 1          | PART NO: | WFDVSM10-XX-XX-CR                                    |                   |
| A   | 01-SEP-2017 | (PC0001) | Ken | Chao Peng | PROJECTION:           |          |  |                   |
| REV | DATE        | FILE     | BY  |           |                       |          |  |                   |