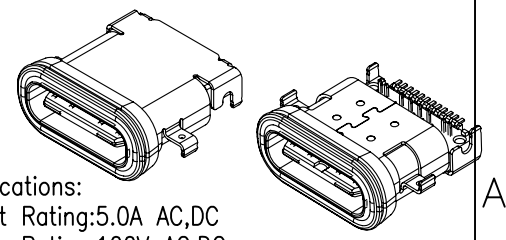


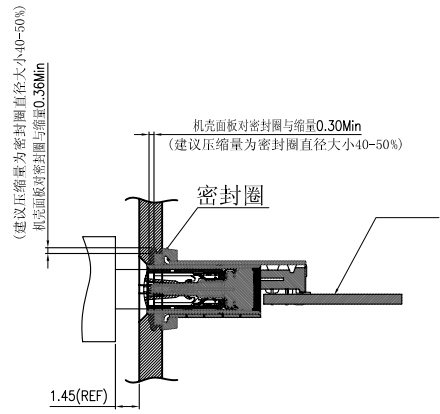
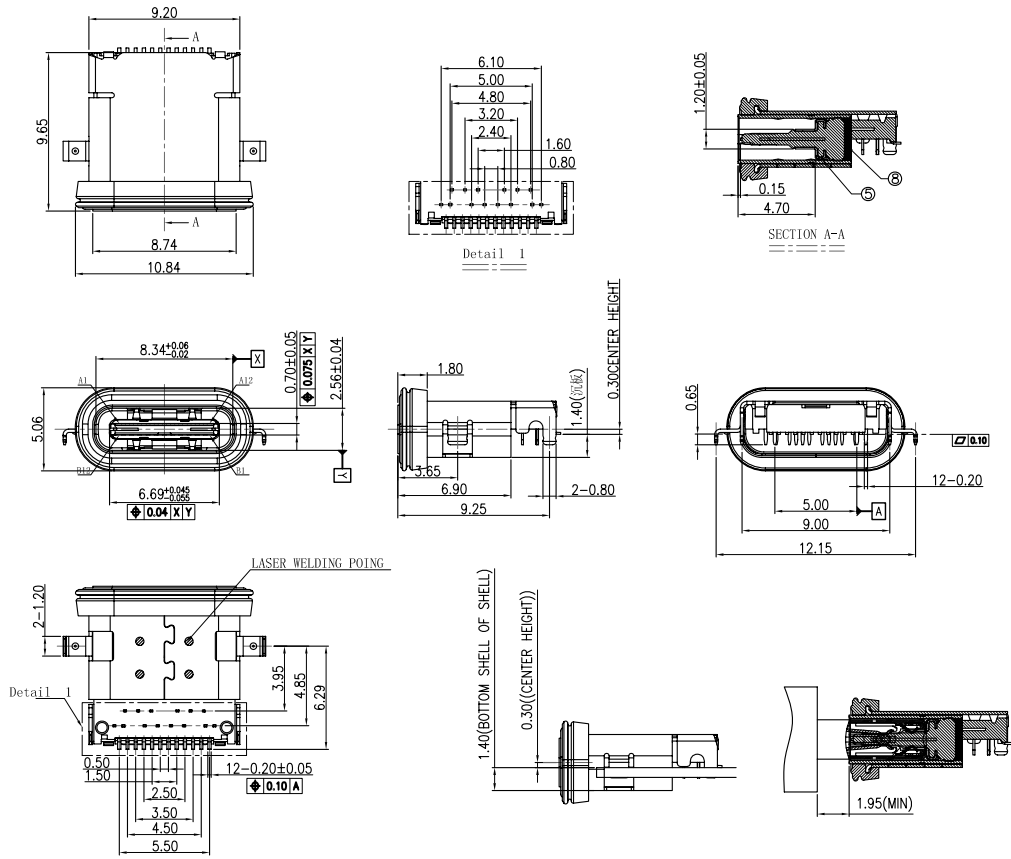


CUSTOMER DRAWING

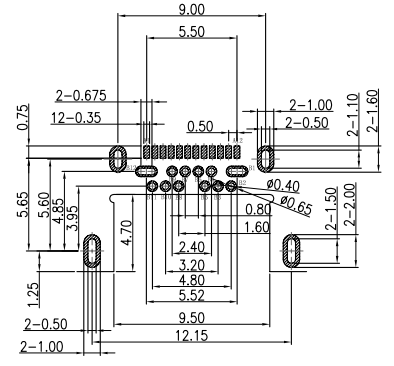
Pin	Signal Name	Mating Sequence	Pin	Signal Name	Mating Sequence
A1	GND	First	B12	GND	First
A2	SSTXp1	Second	B11	SSRXp1	Second
A3	SSTXn1	Second	B10	SSRXn1	Second
A4	V <sub>CC</sub>	First	B9	V <sub>CC</sub>	First
A5	CC1	Second	B8	SBU2	Second
A6	Dp1	Second	B7	Dn2	Second
A7	Dn1	Second	B6	Dp2	Second
A8	SBU1	Second	B5	CC2	Second
A9	V <sub>CC</sub>	First	B4	V <sub>CC</sub>	First
A10	SSRXn2	Second	B3	SSTXn2	Second
A11	SSRXp2	Second	B2	SSTXp2	Second
A12	GND	First	B1	GND	First
SHELL	GND		SHELL	GND	



Specifications:  
 Current Rating:5.0A AC,DC  
 Voltage Rating:100V AC,DC  
 Contact Resistance:40m Ohm Max  
 Insulation Resistance:100M Ohm Min  
 Withstanding Voltage:100V AC/Minute  
 Operating Temperature Range:-40°C to +85°C  
 Mechanical:  
 Mating Force:5~20N Max  
 Unmating Force:8~20N Min  
 Durability:10000 cycles Min  
 Materials:  
 Insulator:High Temp.Plastic (LCP UL94V-0)  
 Contact:Brass  
 PCB板 Contact Plating:Gold Plated on Contact Area,  
 Matte-Tin Plated on Solder Tail.  
 Shell:Stainless Nickel 50u" Plated



组装面板后公母头对插示意图



RECOMMENDED P.C.B LAYOUT(Both sides are sample)  
 Tolerance:±0.05,Thickness=0.60mm

RoHS Compliant

REV	DATE	FILE	BY
A	28-Aug-2017	(H0128)	Jack Zhou
B	07-Aug-2018	Add O-Ring	Jack Zhou

DRAWN:	Jack Zhou
CHECKED:	Ken Wang
APPROVAL:	Make Hu

GENERAL TOLERANCE:	.X=±0.2 .XX=±0.15
UNIT:	MM
SCALE:	2:1
SHEET:	1 / 1
PROJECTION:	

DESCRIPTION:	USB REV. 3.1 C Type Socket Conn SMT waterproof Type
PART NO:	UBSR311PA-24SG-BK-TR

SIZE  
**A4**

