

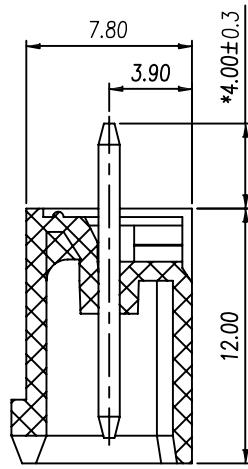
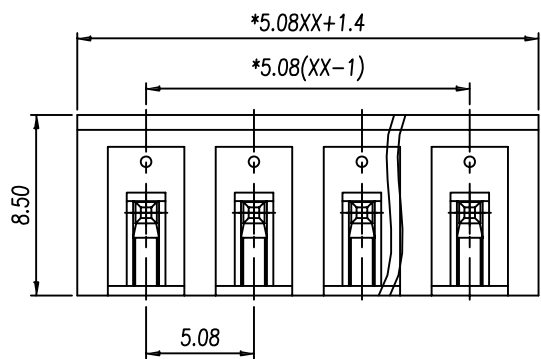
1

2

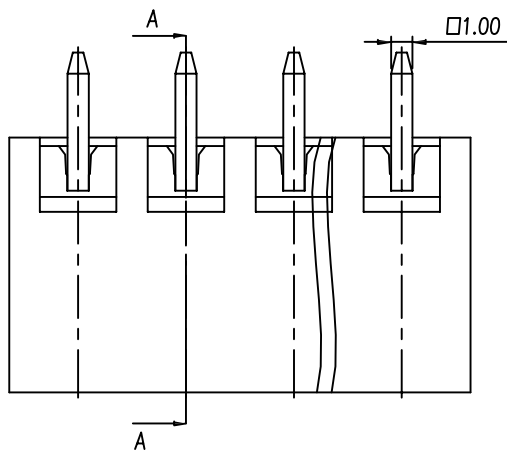
3

4

5

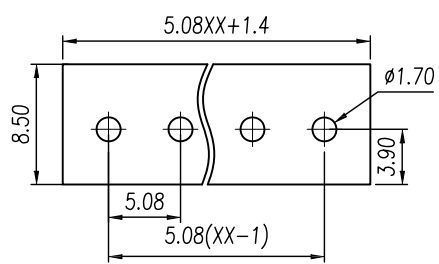
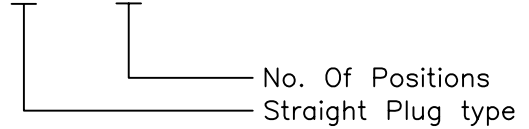


SECTION:A-A



Specifications:
 Current Rating:15.0A AC/DC
 Voltage Rating:300V AC/DC
 Contact Resistance:20m ohm Max
 Insulation Resistance:500M ohm Min.
 Withstanding Voltage:2000V AC For One Minute
 Operating Temperature Range:-40°C ~ +105°C
 Material and Finish
 Insulator:High Temp. Plastic(Nylon66 UL94V-0)
 Contact Material:Brass With Tin Plated

How To Order
 TBVP508-XX



P.C.B. LAYOUT

RoHS Compliant

E				DRAWN: WGL
D				CHECKED: Jeremy Liu
C				APPROVAL: Mike Wu
B				
A	14-Jul-2016	(H0081)	WGL	
REV	DATE	FILE	BY	

GENERAL TOLERANCE: .X=±0.2 .XX=±0.15
UNIT: MM
SCALE:2:1
SHEET: 1 / 1
PROJECTION:

		DESCRIPTION: 5.08mm Terminal Block Plug Straight Type
		PART NO: TBVP508-XX

SIZE
A4

A

B

C

D