

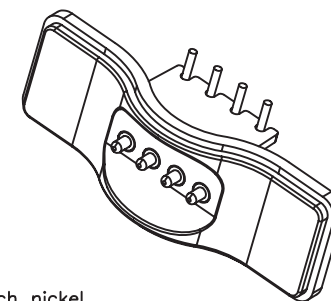
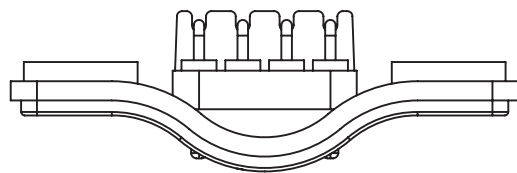
1

2

3

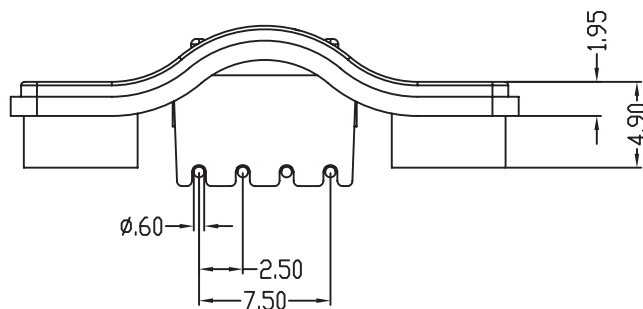
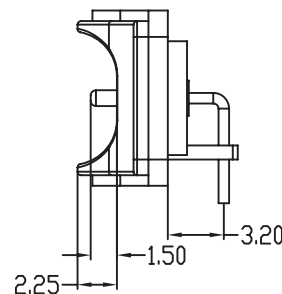
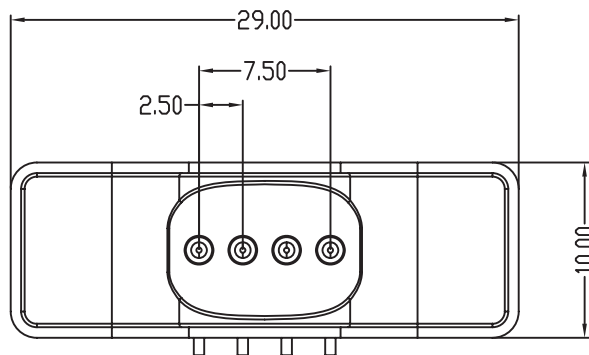
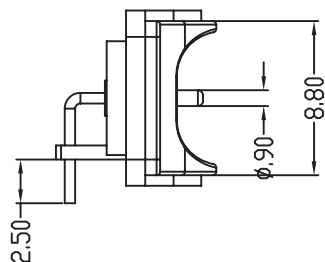
4


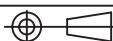
5



NOTE

1. Material
Plunger: Brass 3604
Barrel: Brass 3604
Spring: SUS304
Housing: PA46
2. Plating
Plunger: 1u" Au over 50~100 micro-inch nickel
Barrel: 1u" Au over 50~100 micro-inch nickel
3. Electrical
Rated current & voltage: DC 12V; 3.0A Max.
Contact resistance: 50 mohm maximum at normal working height (quiescence)
4. Mechanical
Spring force: 50g±20% at normal working height
Durability: 10,000 cycles (minimum)
5. To ensure the best usage, please operate it based on the working height. Based on the engineering drawings, shall not exceed the maximum allowed compression.
6. To avoid arcing issue, the adaptor start to power supply after connector mated fully.
7. RoHS compliant product.



				DRAWN: Ken Wang	GENERAL TOLERANCE: .X=±0.2 .XX=±0.15		DESCRIPTION: 2.5mm Pogo Pin 4P Magnetic absorption	SIZE A4
E				CHECKED: Lily Chou	UNIT: MM SCALE: 2:1			
D				APPROVAL: Chao Peng	SHEET: 1 / 1	PART NO: PGAR25-04G-MG		
C					PROJECTION: 			
B								
A	17-Dec-2020	(H0055)	Ken Wang					
REV	DATE	FILE	BY					