

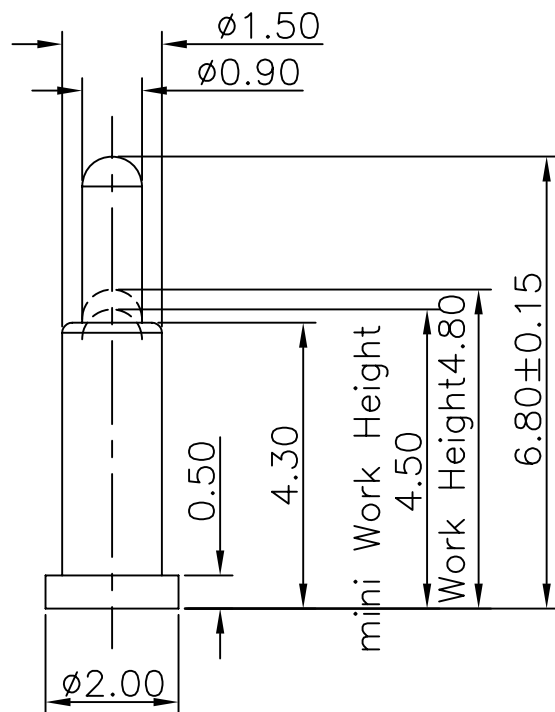
1

2

3

4

5



## NOTE

## 1.Material

Plunger: Brass

Barrel: Brass

Spring: SUS304

## 2.Plating

Plunger: 3u" Au over 50~100u"nickel

Barrel: 3u" Au over 50~100 u"nickel

## 3.Electrical

Rated current &amp; voltage: DC 12V; 1.0A Max.

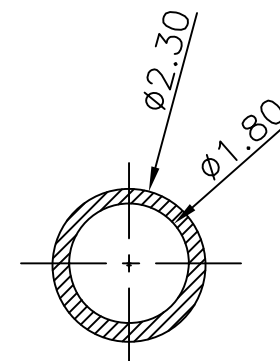
Contact resistance: 10 mohm maximum at normal working height(quiescence)

## 4.Mechanical

Spring force: 80g±25 at working height

Durability: 10,000 cycles(minimum)

## 5.RoHS compliant product.




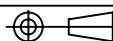
RECOMMEND PCB LAYOUT  
Layout Tolerance: ± 0.05mm

A

B

C

D

				DRAWN: Ken Wang	GENERAL TOLERANCE: .X=±0.2 .XX=±0.15		DESCRIPTION: Pogo Pin Single Contacts L=6.8mm	SIZE <b>A4</b>
E				CHECKED: Lily Chou	UNIT: MM SCALE:2:1			
D				APPROVAL: Chao Peng	SHEET: 1 / 1	PART NO: PG-D20-L68G		
C					PROJECTION: 			
B								
A	18-Sep-2019	(H0001)	Ken Wang					
REV	DATE	FILE	BY					