

1

2

3

4

5

## NOTE

## 1.Material

Plunger: Brass 3604

Barrel: Brass 3604

Spring: SUS304

## 2.Plating

Plunger: 1 micro-inch minimum Au over 50 micro-inch nickel

Barrel: 1 micro-inch minimum Au over 50 micro-inch nickel

## 3.Electrical

Rated current &amp; voltage: DC 12V; 1A Max.

Contact resistance: 50 mohm maximum at normal working height(quiescence)

## 4.Mechanical

Spring force: 100g±20% at normal working height

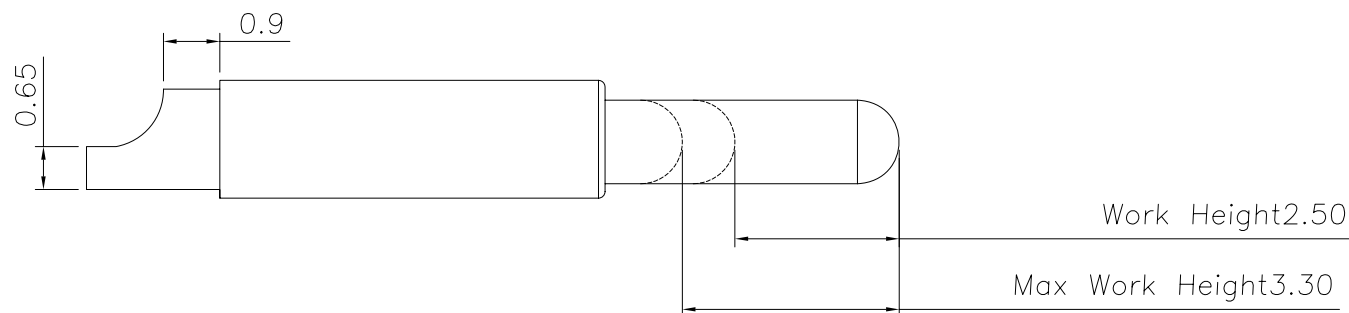
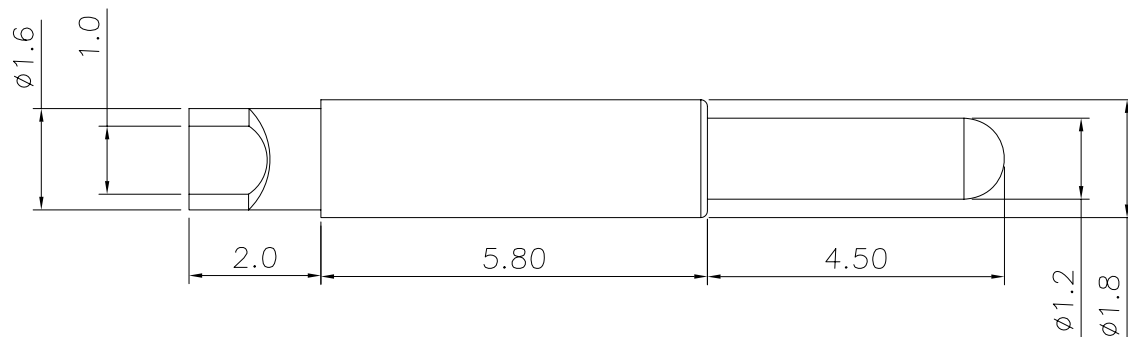
Durability: 10,000 cycles(minimum)

5.To ensure the best usage,please operate it based on the working height


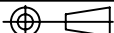
Based on the engineering drawings,shall not exceed the maximum allowed compression

6.To avoid arcing issue, The adaptor start to power supply after connector mated fully.

7.RoHS and HF compliant product.



RoHS Compliant

E				DRAWN: Ken Wang	GENERAL TOLERANCE: .X=±0.2 .XX=±0.15		DESCRIPTION: Pogo Pin L=12.3mm	SIZE <b>A4</b>
D				CHECKED: Lily Chou	UNIT: MM			
C					SCALE:2:1			
B	08-May-2019	Amend Max Work Height	Ken Wang	APPROVAL: Chao Peng	SHEET: 1 / 1	PART NO: PG-D18-L1230		
A	23-Apr-2019	(PUR160)	Ken Wang		PROJECTION: 			
REV	DATE	FILE	BY					