

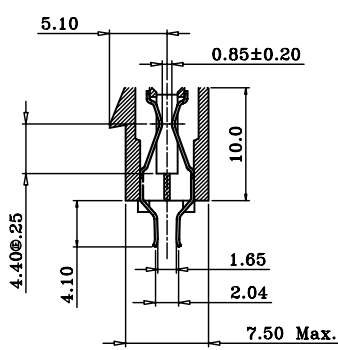
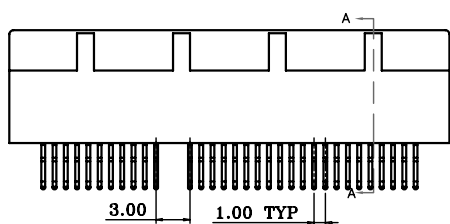
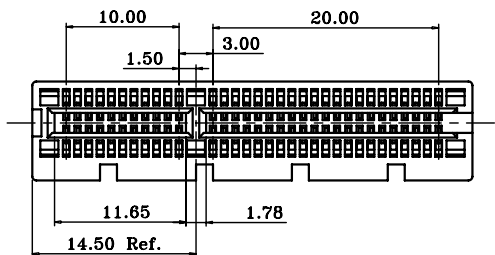
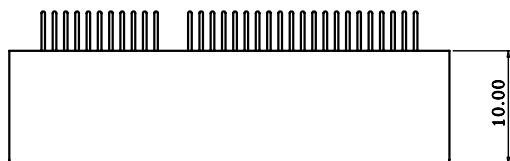
1

2

3

4

5



SECTION A-A

Electric Specifications
 Current Rating:1.1Amps
 Rating Voltage: 250V AC
 Insulation Resistance:1000M Ohm Min At DC 500V
 Contact Resistance:30m Ohm Max At DC 100m Amps
 Withstanding Voltage:1 Minute At 750V r.m.s Min
 Temperature Range:-40°C~85°C
 *Mechanical Characteristics:
 1:Insertion Force: 1.15N per contact pair Max.
 2:Extraction Force: 0.15N per contact pair Min.
 3.Durability rating:50 Cycles

Materials:
 Insulator:High Temp. Plastic (LCP UL94V-0)
 Insulator Color:Black
 Terminal :Copper Alloy
 Plating:Selective Gold Plated
 How To Order
 PCIECP10-64GX-X4

Blank Selective Gold 1u"
 G3: Selective Gold 3u"
 G15: Selective Gold 15u"
 No.of Positions
 Clamping Plate Type

RoHS Compliant

				DRAWN: WGL	GENERAL TOLERANCE: .X=±0.2 .XX=±0.15			SIZE A4
E				CHECKED: Jeremy Liu	UNIT: MM			
D				APPROVAL: Mike Wu	SCALE:2:1	PART NO: PCIECP10-64GX-X4		
C					DATE 04-Mar-2020		FILE (PC0001)	BY WGL
B					PROJECTION:			
A								
REV	DATE	FILE	BY					

A

B

C

D