

| | | | | | |
|----|--------------------|----|-------------------|----|---------------------|
| 11 | PHV254-XXG | 12 | PSTB254-XXG-BX | 12 | PSDBRSM254-XXG |
| 11 | PHISM254-XXG-BX-XX | 12 | PSDTB254-XXG-XX | 13 | PSHD254-XXG-XX |
| 11 | PSV254-XXG-36 | 12 | PSBRSM254-XXG | 13 | PHDI254-XXG-XX |
| 11 | PSV254-XXG-75 | 12 | PSVD254-XXG-36 | 13 | PHDISM254-XXG-BX-XX |
| 12 | PSI254-XXG-XX | 12 | PSVD254-XXG-75-PG | | |

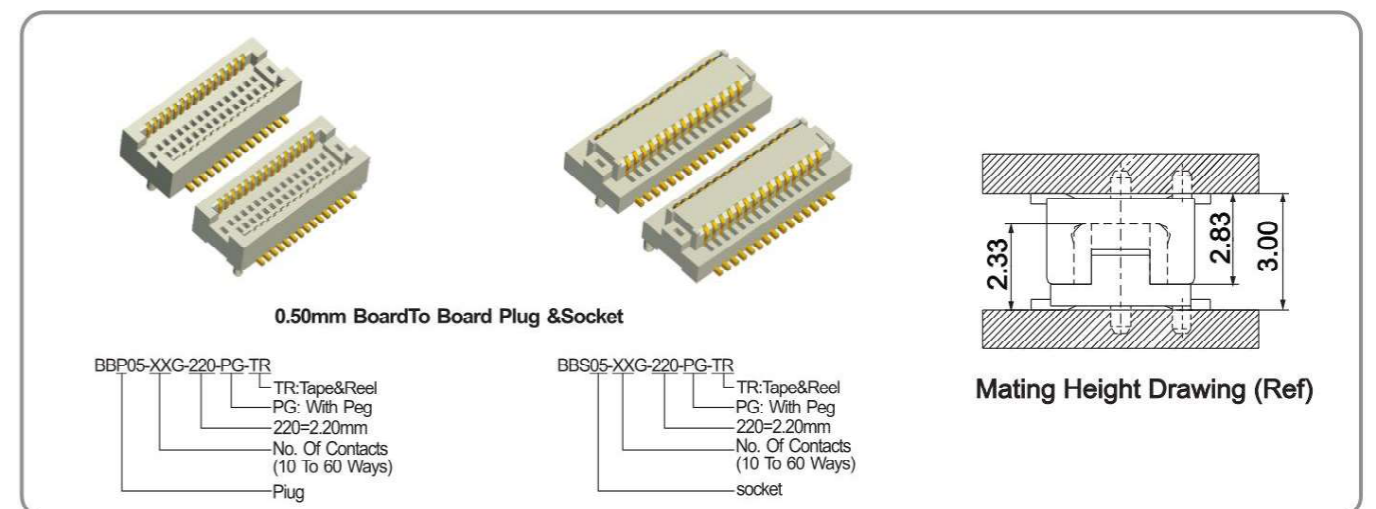
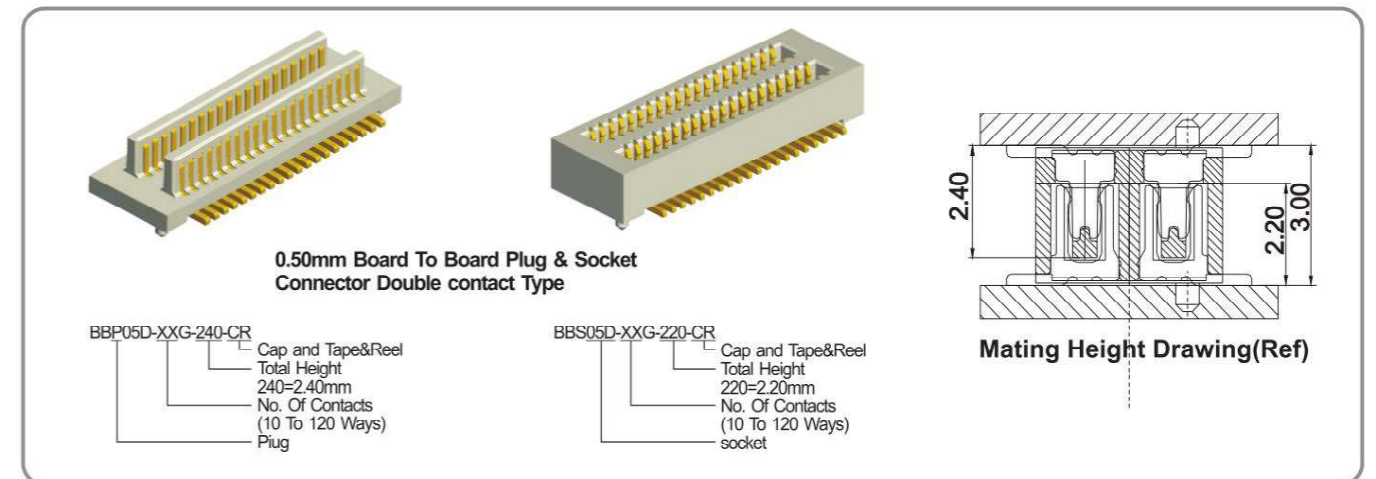
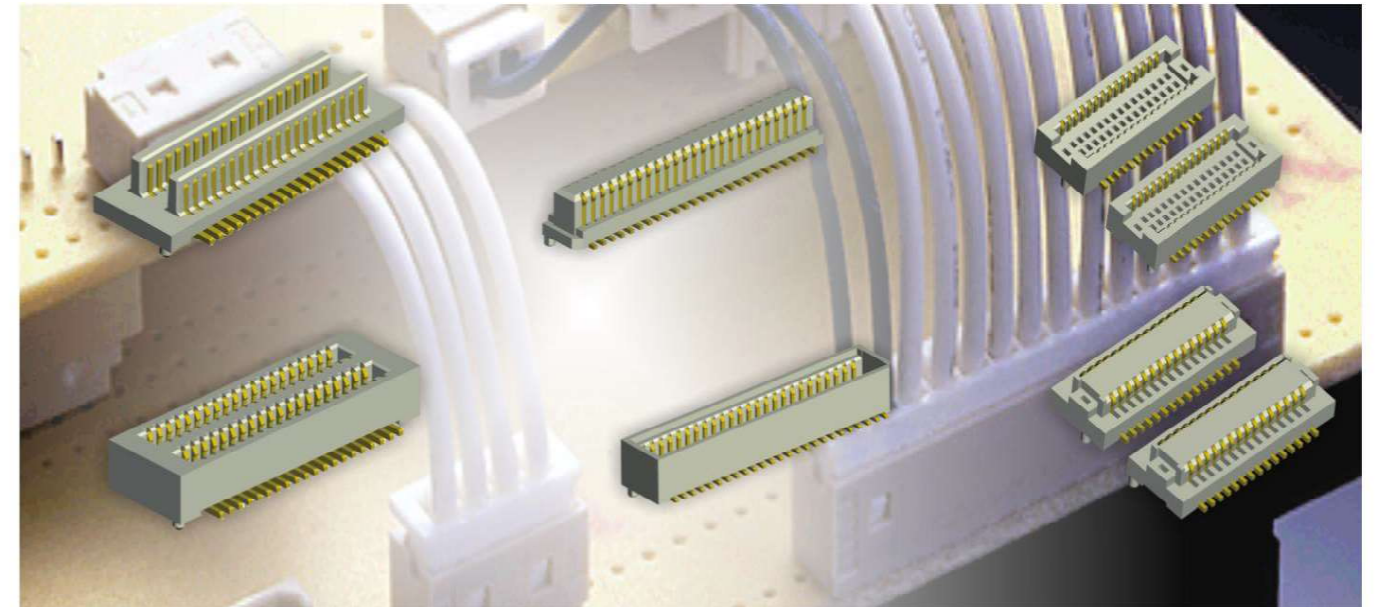
Wire to Board Wafer Connector&Housing Connector

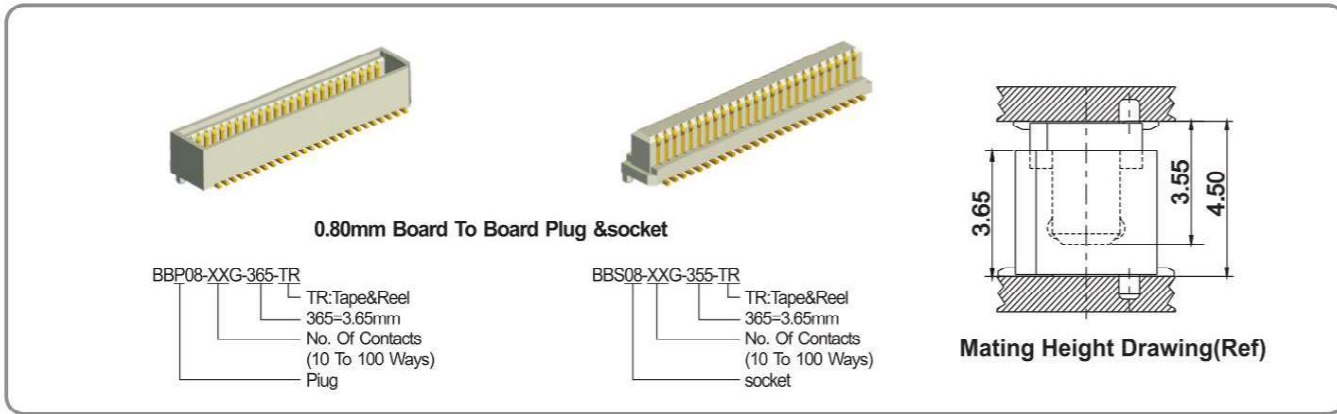
| | | | | | |
|----|--------------------|----|---------------------|----|-----------------|
| 14 | H10-XX | 17 | WFDVSM20-XXG-CR | 21 | WFAPSM254-XX-BK |
| 14 | WVSM10-XX | 17 | WFDVSM20-XXT-LK | 21 | WFAV254-XX-BK |
| 14 | WFRASM10-XXX-LK-CR | 17 | WV25-XX | 21 | HPA30-XX-01 |
| 14 | WVSM125-XX | 17 | HB25-XX | 21 | HSA30-XX |
| 14 | WVSM125-XX | 18 | WFRSM25-XXX-X-LK-XX | 21 | HPD30-XX |
| 14 | HS125-XX | 18 | WVSM25-XXX-X-LK-XX | 21 | HSD30-XX |
| 14 | WF1RSM125-XXG | 18 | WFRA25-XXX-X-LK-XX | 21 | WFDVSM30-XX-XX |
| 14 | HSA125-XX | 18 | WFVA25-XXX-X-LK-XX | 21 | WFDVSM30-XX-XX |
| 15 | WFBSM125-XXG | 18 | WVSM25-XX | 22 | WVASM30-XX-XX |
| 15 | WF2RSM125-XXT | 18 | HM25-XX | 22 | WFRASM30-XX-XX |
| 15 | HSB125-XX | 18 | H25-XX | 22 | WV396-XX-XX |
| 15 | H127-XXT | 18 | WF1V25-XX-BK | 22 | H396-XX |
| 15 | WV127-XXT-PG | 19 | WVVEH25-XX | 22 | WF1V396-XX-01 |
| 15 | WFSM127-XXT | 19 | HEH25-XX | 22 | HA396-XX-SPX |
| 15 | WV15-XX | 19 | WVJ25-XX | 22 | HPA42-XX-01 |
| 15 | H15-XX | 19 | HJ25-XX | 22 | HSA42-XX |
| 16 | WVSM15-XX-CR | 19 | HA254-XX | 23 | WVFA42-XX-PG |
| 16 | WF1DVSM15-20T-LK | 19 | HB254-XX | 23 | WFRA42-XX-PG-01 |
| 16 | HJ20-XX | 19 | WF2V254-XX | 23 | HPD42-XX-01 |
| 16 | WVJ20-XX | 19 | HC254-04 | 23 | HSD42-XX |
| 16 | WFRSM20-XX | 20 | WV254-XX | 23 | WF1DV42-XX-PG |
| 16 | WFDVJ20-XX | 20 | H254-XX | 23 | WFDV42-XX-PG-01 |
| 16 | HJD20-XX | 20 | WF1V254-XX-XX | 23 | WV508-XX-01-XX |
| 16 | H20-XX | 20 | WFDV254K-XX-XX | 23 | H508-XX |
| 17 | HA20-XX | 20 | WFSM254-XX-BK | 24 | WF1V508-04 |
| 17 | HB20-XX | 20 | IDC254A-XX-BK | 24 | HP635-XX |
| 17 | WVJ20-XX | 20 | WFAR254-XX-BK | 24 | HS635-XX |
| 17 | WF2VSM20-XX | 20 | WFA254-XX-BK | 24 | WVFP635-XX |

I/O Connector (D-SUB,SATA)

| | | | | | |
|----|-------------------|----|------------------|----|-------------------|
| 24 | SATSRSM127-XX-ME | 25 | DBOP-XX-XX | 25 | WFDR254-20-PG-BK |
| 24 | SATPV127-XX-ME | 25 | DBOS-XX-XX | 26 | WFDR25-16-PG-WH |
| 24 | SATPRSM127-XX | 25 | DBSH1-XX-RLH | 26 | IDC20-XX |
| 24 | TB1RP50-XX | 25 | DBPH1-XX-RLH | 26 | BHV127-XXG |
| 24 | MDDS-XX-BK | 25 | MUBSM-05 | 26 | IDC254-XXSR-01-BU |
| 24 | MJRSM-XPXC | 25 | SIMSM254-XXG-XXX | 26 | BHV20-XXG |
| 24 | SATPRSM-XX-A2 | 25 | TFSM-XX-PU | 26 | BHSM127-XXG |
| 24 | H DPRSM-19SG | 25 | SIMSM-XXSG | 26 | SHV254-XXG-XX |
| 25 | DBDR-XXPXXS-XX-RL | 25 | ICA-501-XX | 26 | BHV254-XXG |

Board to Board Connector



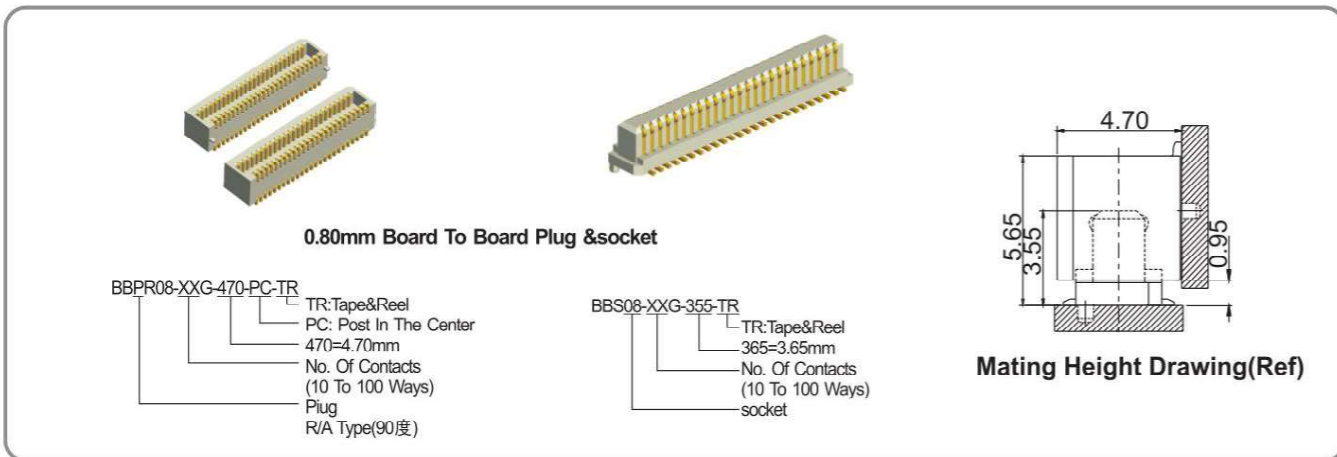


0.80mm Board To Board Plug &socket

BBP08-XXG-365-TR
TR:Tape&Reel
365=3.65mm
No. Of Contacts
(10 To 100 Ways)
Plug

BBS08-XXG-355-TR
TR:Tape&Reel
365=3.65mm
No. Of Contacts
(10 To 100 Ways)
socket

Mating Height Drawing(Ref)
3.65
3.55
4.50

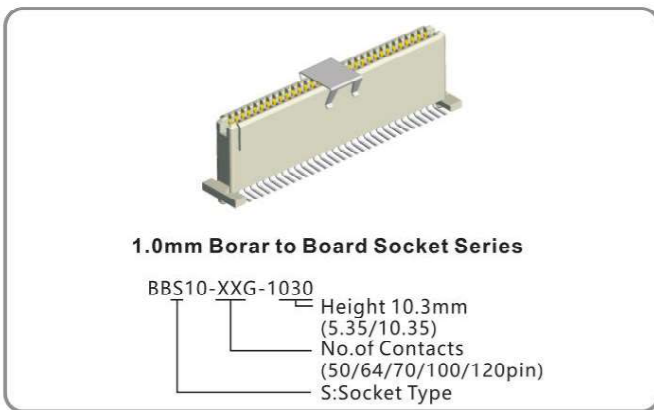


0.80mm Board To Board Plug &socket

BBPR08-XXG-470-PC-TR
TR:Tape&Reel
PC: Post In The Center
470=4.70mm
No. Of Contacts
(10 To 100 Ways)
Plug
R/A Type(90度)

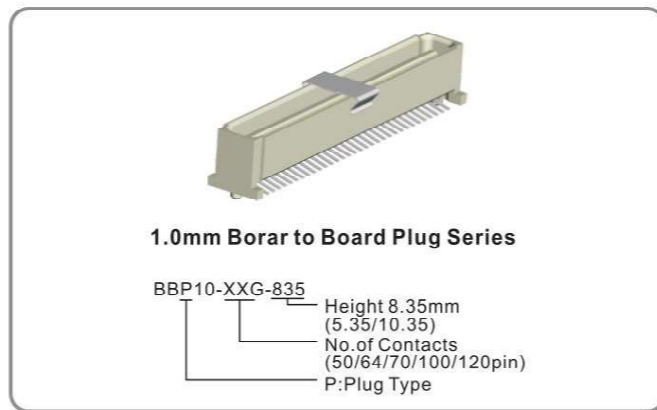
BBS08-XXG-355-TR
TR:Tape&Reel
365=3.65mm
No. Of Contacts
(10 To 100 Ways)
socket

Mating Height Drawing(Ref)
4.70
5.65
3.35
0.95



1.0mm Borar to Board Socket Series

BBS10-XXG-1030
Height 10.3mm
(5.35/10.35)
No.of Contacts
(50/64/70/100/120pin)
S:Socket Type



1.0mm Borar to Board Plug Series

BBP10-XXG-835
Height 8.35mm
(5.35/10.35)
No.of Contacts
(50/64/70/100/120pin)
P:Plug Type



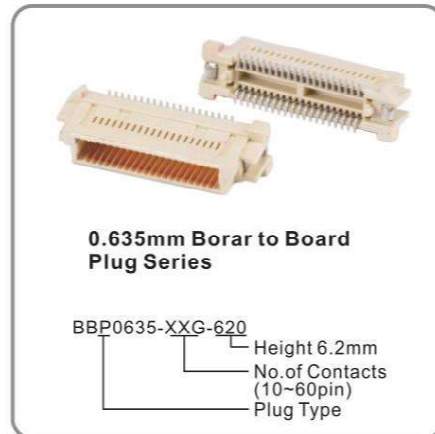
0.5mm Borar to Board Socket Series

BBS05-XXG-126
Plastic Height 1.26mm
No.of Contacts
(10-60pin)
Socket Type



0.5mm Borar to Board Socket Series

BBP05-XXG-120
Plastic Height 1.2mm
No.of Contacts
(10-60pin)
Plug Type



0.635mm Borar to Board Plug Series

BBP0635-XXG-620
Height 6.2mm
No.of Contacts
(10-60pin)
Plug Type



1.0mm PCI-E X1 36pin Dip Type
P/N:PCIEV10-36GX(Plated Custom)



1.0mm PCI-E X1 36pin Clampin Board Type
P/N:PCIECP10-36GX(Plated Custom)



1.0mm PCI-E X1 36pin SMT Type
P/N:PCIEVSM10-36GX(Plated Custom)



1.0mm PCI-E X4 64pin Dip Type
P/N:PCIEV10-64GX(Plated Custom)



1.0mm PCI-E X4 64pin Clampin Board Type
P/N:PCIECP10-64GX(Plated Custom)



1.0mm PCI-E X4 64pin SMT Type
P/N:PCIEVSM10-64GX(Plated Custom)



1.0mm PCI-E X8 98pin Clampin Board Type
P/N:PCIECP10-98GX(Plated Custom)



1.0mm PCI-E X8 98pin SMT Type
P/N:PCIEVSM10-98GX(Plated Custom)