

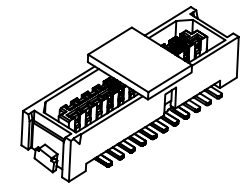
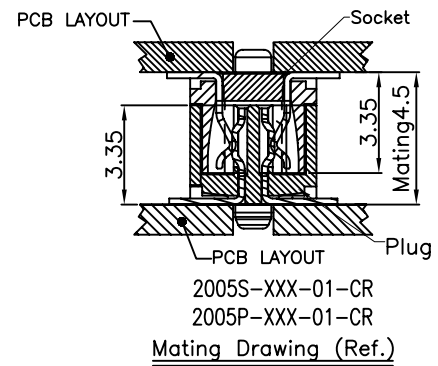
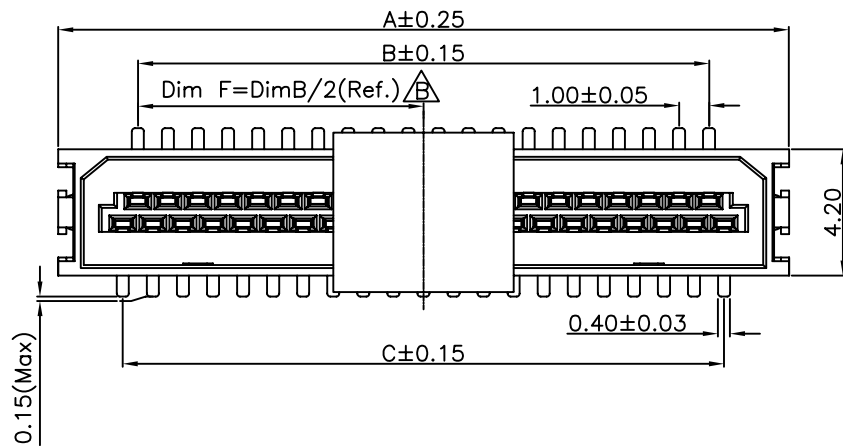
1

2

3

4

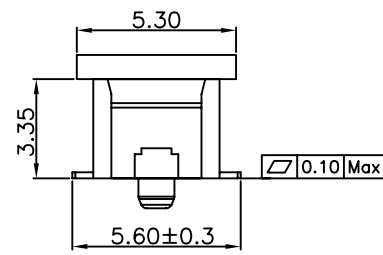
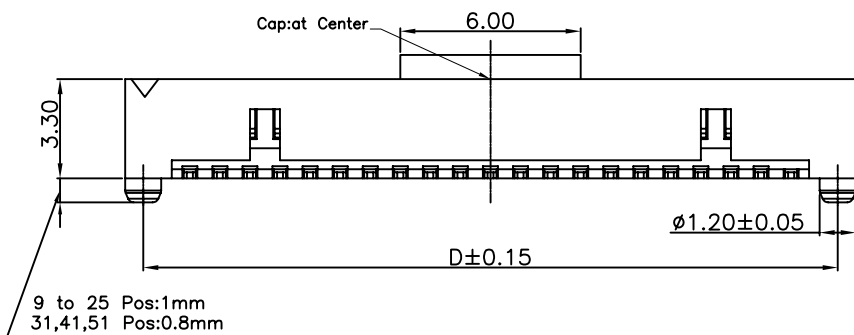
5



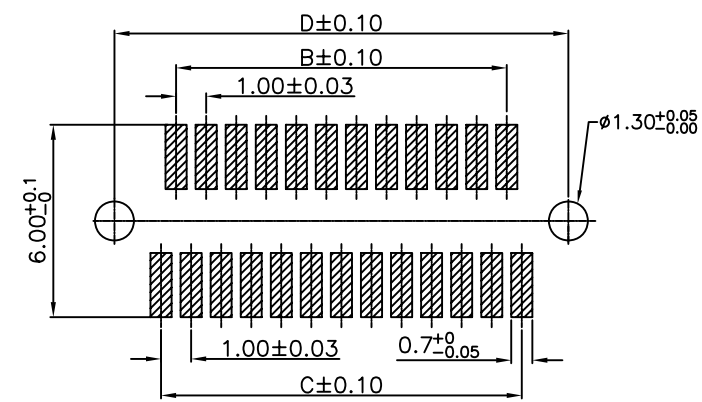
Specifications
 Current Rating: 1.0A AC/DC
 Voltage Rating: 250V AC/DC
 Contact Resistance: 30m ohm. Max
 Insulation Resistance: 1000Mohm min
 Withstanding Voltage: 250V(r.m.s) For one Minute
 Operating Temperature Range: -40°C to 85°C
Materials:
 Insulator: High Temp. Plastic (LCP UL94V-0)
 Color: Natural Color
 Contact: Phosphor Bronze
 Plated: Contact Gold Plated 3u"
 Solder Tail Gold Plated 1u"

How To Order:
 BBP10-XXX-330-01-CR

- Cap+Tape&Reel
- Without Metal Tab
- Total Height
- G: Gold Plated
- T: Tin Plated
- No. of Positions
- P: Plug



Pin No	A	B	C	D	Pin No	A	B	C	D
09	8.30	3.00	4.00	7.10	21	14.30	9.00	10.00	13.10
11	9.30	4.00	5.00	8.10	23	15.30	10.00	11.00	14.10
13	10.30	5.00	6.00	9.10	25	16.30	11.00	12.00	15.10
15	11.30	6.00	7.00	10.10	31	19.30	14.00	15.00	18.10
17	12.30	7.00	8.00	11.10	41	24.30	19.00	20.00	23.10
19	13.30	8.00	9.00	12.10	51	29.30	24.00	25.00	28.10



PCB LAYOUT

F				DRAWN:	GENERAL TOLERANCE:	HOYATO 东莞好亚通电子厂 Connector supplies	DESCRIPTION:	SIZE
E			Ken	.X=±0.20 .XX=±0.15				
D			CHECKED:	APPROVAL:	UNIT: MM	1.0mm Board To Board Plug 3.3mm Height	A4	
C			Lily Chou		SCALE: 1:1			
B			APPROVAL:	Chao Peng	SHEET: 1 / 1	PART NO:	BBP10-XXX-330-01-CR	
A	10-SEP-2013	(PC0001)			Ken			PROJECTION:
REV	DATE	FILE	BY					